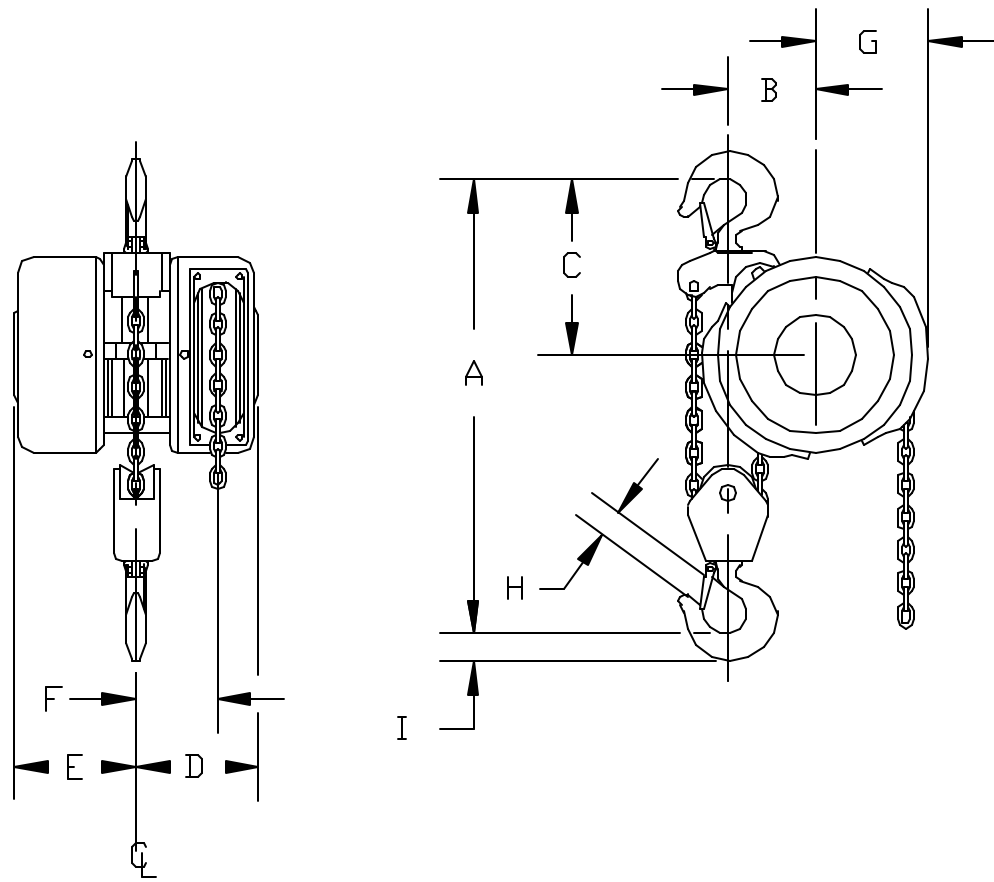


FOR MORE INFO CONTACT:
 American Crane & Equipment Corp.
 Authorized Distributor
 Tel: 877-503-2972
 Fax: 484-945-0430
 Email: sales@americancrane.com
 www.americancrane.com

- A 24 1/2"
- B 4 7/8"
- C 9 1/8"
- D 5"
- E 5"
- F 3 1/4"
- G 5 3/4"
- * H 1 11/16"
- * I 1 7/16"



* DIM. FOR TOP & BOTTOM HOOK

		4 TON HOOK SUSPENDED SPUR GEARED HOIST		DR. RLB	TR.	CK.	AP.
		CHESTER HOIST		SCALE NONE		DATE 11/18/02	
		LISBON, OHIO		REF. DWG. NO. ZSGH3T			
				Dwg. No. CD096			
REVISIONS	DATE						