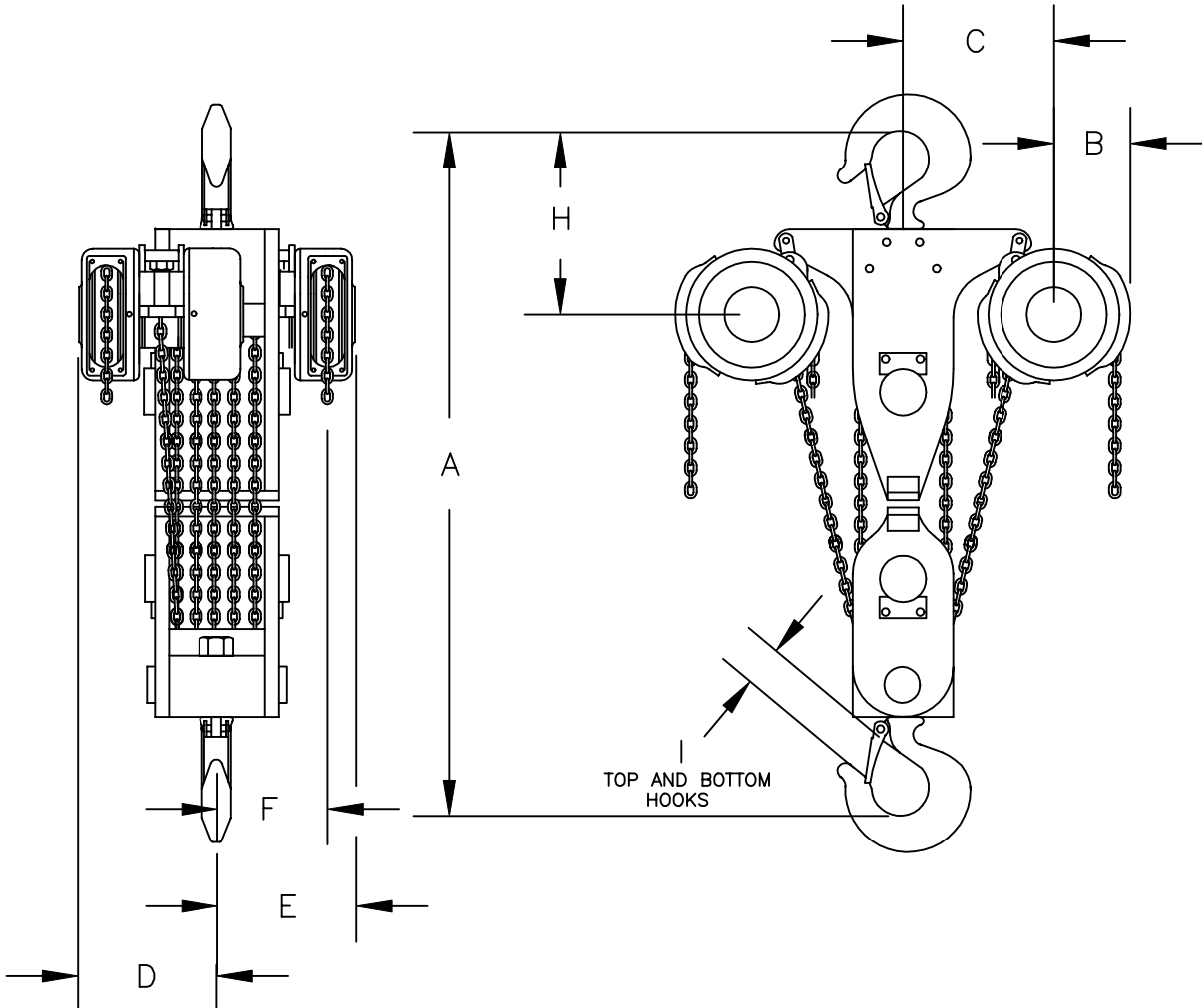


**FOR MORE INFO CONTACT:**  
**American Crane & Equipment Corp.**  
**Authorized Distributor**  
**Tel: 877-503-2972**  
**Fax: 484-945-0430**  
**Email: sales@americancrane.com**  
**www.americancrane.com**

A	56 3/8"
B	5 3/4"
C	11 1/8"
D	9 1/8"
E	9 1/8"
F	7 3/8"
H	15 1/8"
I	3 5/8"



MK.	REVISIONS	CK-DATE

20 TON SPUR  
 GEARED HOIST

**CHESTER HOIST**  
 LISBON, OHIO

DR. RLB	TR.	CK.	AP.
SCALE NONE		DATE 6-19-00	
REF. DWG. NO.		HLSG20 3/97	
Dwg. No. CD028			