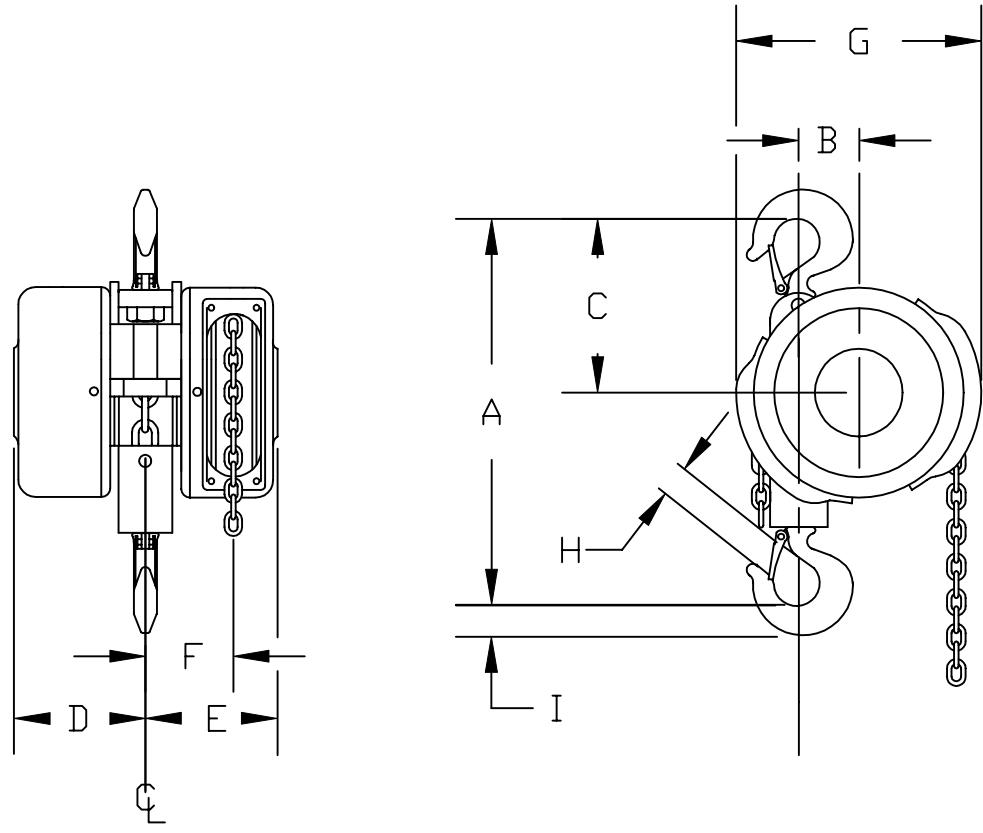


FOR MORE INFO CONTACT:
American Crane & Equipment Corp.
Authorized Distributor
Tel: 877-503-2972
Fax: 484-945-0430
Email: sales@americancrane.com
www.americancrane.com

- A 12 1/8"
- B 1 3/8"
- C 6 7/16"
- D 4 1/4"
- E 4 1/4"
- F 3"
- G 8 3/4"
- * H 1"
- * I 1"



* DIM. FOR TOP & BOTTOM HOOK

MK.	REVISIONS	CK-DATE

1/4 - 1/2 - 1 TON
 HOOK SUSPENDED SPUR GEARED HOIST
CHESTER HOIST
 LISBON, OHIO

DR. RLB	TR.	CK.	AP.
SCALE NONE		DATE 6-19-00	
REF. DWG. NO.		ZSGHS1	
Dwg. No. CD019			