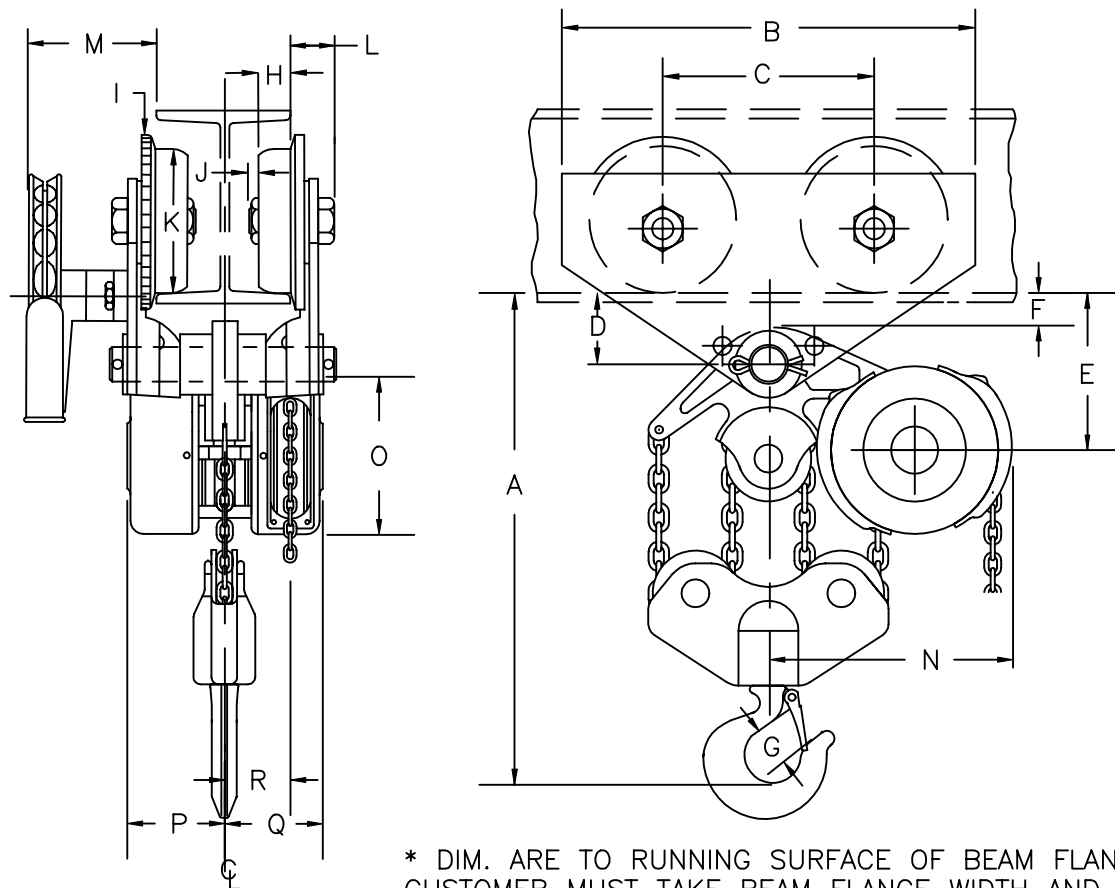


- \* A 24 15/16"
- B 21"
- C 10 1/2"
- \* D 4 3/4" TO CENTER OF EQUALIZING PIN
- \* E 8 15/16"
- \* F 2 1/4"
- G 2 1/16"
- H 1 11/16"
- I 10" WHEEL FLANGE DIAMETER
- J 1/16"
- L 3 1/4"
- K 8 1/4"
- # M 9"
- N 14"
- O 9 3/4" COVER O.D.
- P 5"
- Q 5"
- R 3 1/4"



\* DIM. ARE TO RUNNING SURFACE OF BEAM FLANGE. CUSTOMER MUST TAKE BEAM FLANGE WIDTH AND THICKNESS INTO CONSIDERATION.

# APPLIES TO GEARED UNITS ONLY...FOR PLAIN UNITS "L" IS THE SAME ON BOTH SIDES OF UNIT.

UNIT IS ADJUSTABLE FROM S10"X25.4# THROUGH S24"X121# "S" BEAMS.  
 NOTE: THIS UNIT IS SUITABLE FOR "S" BEAMS AS SHOWN, "W" BEAMS REQUIRE SPECIAL FLAT TREAD WHEELS AND IS NOT ADJUSTABLE

8 TON ARMY TYPE TROLLEY HOIST

CHESTER HOIST  
 LISBON, OHIO

|                    |     |              |     |
|--------------------|-----|--------------|-----|
| DR. RLB            | TR. | CK.          | AP. |
| SCALE NONE         |     | DATE 6-19-00 |     |
| REF. DWG. NO. 8ZAT |     |              |     |

Dwg. No. CD046

|     |           |         |
|-----|-----------|---------|
| MK. | REVISIONS | CK-DATE |
|-----|-----------|---------|