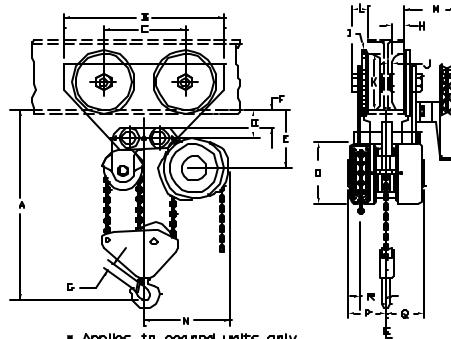


- A 23 7/8"
- B 19 1/2"
- C 10"
- D 8 5/16"
- E 9"
- \*F 1 3/8"
- G 1 1/16"
- H 1 13/32"
- J 9"
- J 1/32"
- K 7 3/16"
- L 9 9/16"
- \*M 8 5/8"
- N 11 7/8"
- O 9 3/4"
- P 5"
- Q 5"
- R 3 1/4"



■ Applies to geared units only  
 \*\* At closest point of contact  
 This unit is adjustable from 4 5/8" - 8" for  
 dimensions shown are accurate for  
 45° & 75° beam shapes.

ACECO  
**AMERICAN CRANE**  
 & EQUIPMENT CORPORATION  
 www.americancrane.com

Phone (877) 503-2972  
 E-mail sales@americancrane.com  
 Fax (484) 945-0430

		3 & 6 TON ARMY TYPE HOIST	DR, RLB	TR.	CK.	AP.
		<b>CHESTER HOIST</b> LISBON, OHIO	SCALE NONE	DATE 1/21/05		
			REF. Dwg. No. Szatlayclr			
NO.	REVISIONS	CHK-DATE	Dwg. No. CD045			