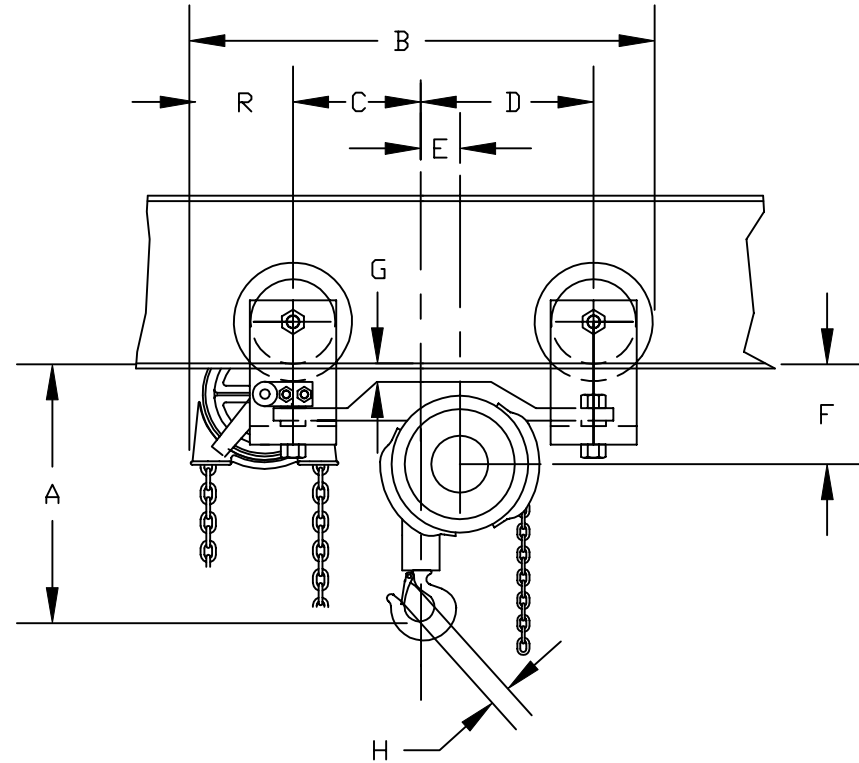
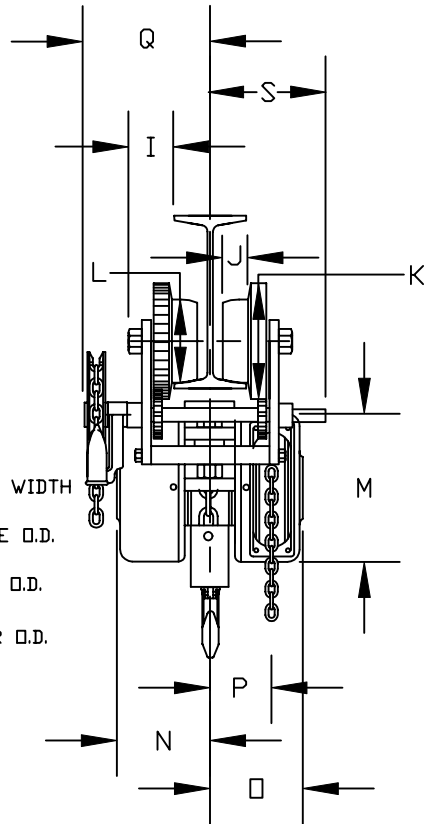


FOR MORE INFO CONTACT: American Crane & Equipment Corp. - Authorized Distributor
 Tel: 877-503-2972 Fax: 484-945-0430 Email: sales@americancrane.com Website: www.americancrane.com

- A 11 1/8"
- B 21 7/8"
- C 6 1/8"
- D 8 5/8"
- E 1 3/8"
- F 4 13/16"
- G 7/8"
- H 1"
- I 2 1/16"
- J 7/8" TREAD WIDTH
- K 4" FLANGE O.D.
- L 2 7/8" TREAD O.D.
- M 7 1/4" COVER O.D.
- N 4 1/4"
- 4 1/4"
- P 3"
- Q 8 9/16"
- R 5 1/4"
- S 4 7/8" (END OF TROLLEY DRIVE SHAFT) BELOW BEAM.



UNIT IS ADJUSTABLE FROM S4"x7.7# THROUGH S10"x25.4# BEAM
 CUSTOMER MUST TAKE INTO CONSIDERATION FLANGE WIDTH AND THICKNESS.
 * DIM. TO WHEEL RUNNING SURFACE

| | | |
|-----|-----------|---------|
| MK. | REVISIONS | CK-DATE |
| | | |
| | | |
| | | |

1/4 & 1/2 TON ARMY TYPE GEARED TROLLEY
 HOIST

CHESTER HOIST
 LISBON, OHIO

| | | | |
|----------------------|-----|--------------|-----|
| DR. RLB | TR. | CK. | AP. |
| SCALE NONE | | DATE 6-19-00 | |
| REF. DWG. NO. AGCL30 | | | |
| Dwg. No. CD038 | | | |