

# CHESTER HOIST

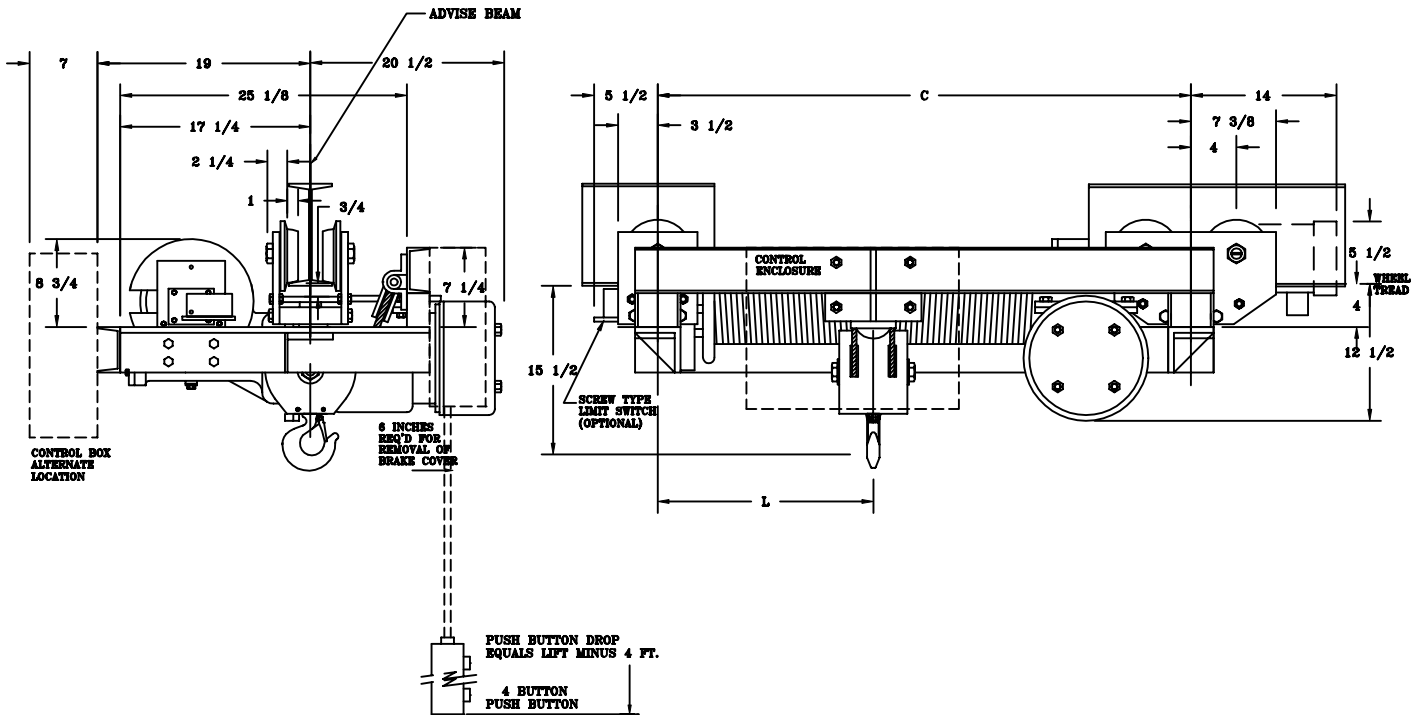
WORM DRIVE HOIST  
DATA SHEET E-78AS

CAPACITY 2-3 TON

LOW HEADROOM  
MOTORIZED TROLLEY - S

SINGLE HOOK MONORAIL  
2-PART DOUBLE

FOR MORE INFO CONTACT: American Crane & Equipment Corp. - Authorized Distributor  
Tel: 877-503-2972 Fax: 484-945-0430 Email: sales@americancrane.com Website: www.americancrane.com



ALL DIMENSIONS IN INCHES

| MODEL NUMBER | CAPACITY (lbs.) | SPEED (fpm) | LIFT (ft.) | REEVING  | MOTOR (hp) | C      | L      | ST'D. I-BEAM |        | APPROX. WT. (lbs.) |
|--------------|-----------------|-------------|------------|----------|------------|--------|--------|--------------|--------|--------------------|
|              |                 |             |            |          |            |        |        | SIZE         | CLEAR* |                    |
| WDMT-41S     | 4000            | 20          | 20         | 2PD-1/4  | 4 @ 1200   | 43 3/8 | 15     | 7-18         | 3/16   | 825                |
| WDMT-42S     | 4000            | 20          | 30         | 2PD-1/4  | 4 @ 1200   | 52 1/8 | 19 1/4 | 7-18         | 3/16   | 875                |
| WDMT-42AS    | 4000            | 20          | 55         | 2PD-1/4  | 4 @ 1200   | 62 1/8 | 24 1/4 | 7-18         | 3/16   | 925                |
| WDMT-44S     | 4000            | 30          | 20         | 2PD-1/4  | 6 @ 1800   | 43 3/8 | 15     | 7-18         | 3/16   | 850                |
| WDMT-45S     | 4000            | 30          | 30         | 2PD-1/4  | 6 @ 1800   | 52 1/8 | 19 1/4 | 7-18         | 3/16   | 900                |
| WDMT-45AS    | 4000            | 30          | 55         | 2PD-1/4  | 6 @ 1800   | 62 1/8 | 24 1/4 | 7-18         | 3/16   | 950                |
| WDMT-67S     | 6000            | 20          | 20         | 2PD-5/16 | 6 @ 1200   | 43 3/8 | 15     | 7-18         | 3/16   | 850                |
| WDMT-68S     | 6000            | 20          | 30         | 2PD-5/16 | 6 @ 1200   | 52 1/8 | 19 1/4 | 7-18         | 3/16   | 900                |
| WDMT-68AS    | 6000            | 20          | 55         | 2PD-5/16 | 6 @ 1200   | 62 1/8 | 24 1/4 | 7-18         | 3/16   | 950                |

\* CLEARANCE BASED ON MAX. "S" BEAM SIZE 18" @ 70 LBS.  
TROLLEYS FOR OTHER I-BEAMS AND PATENTED TRACKS ARE AVAILABLE.  
MAXIMUM BEAM FLANGE WIDTH 6 1/4 INCHES.  
NOTE: WHEN USING SCREW TYPE LIMIT SWITCH ADD 1 INCH TO HEADROOM.