



**AMERICAN CRANE
& EQUIPMENT CORPORATION**
DOUGLASSVILLE, PA. 19518 U.S.A.
PHONE: 610-385-6061
FAX: 610-385-3191

**3171
TOP RUNNING TROLLEY**

50 TON CAPACITY

PRODUCT INFORMATION

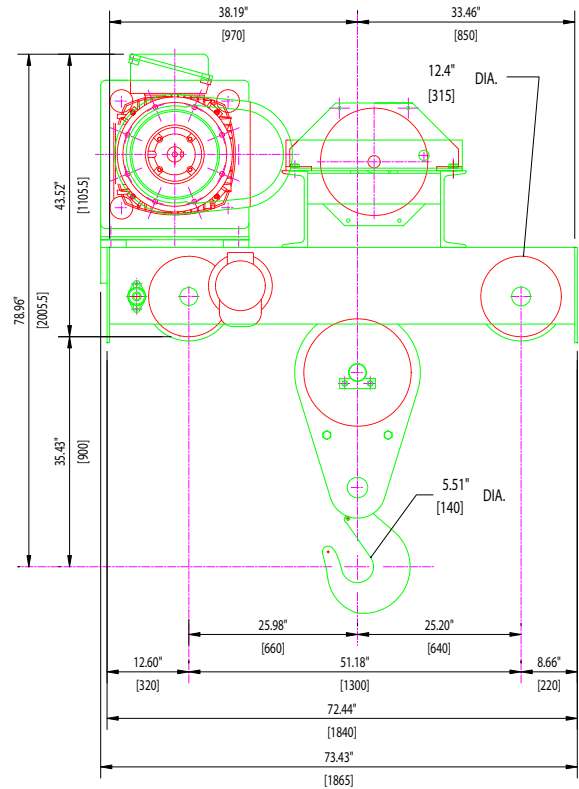
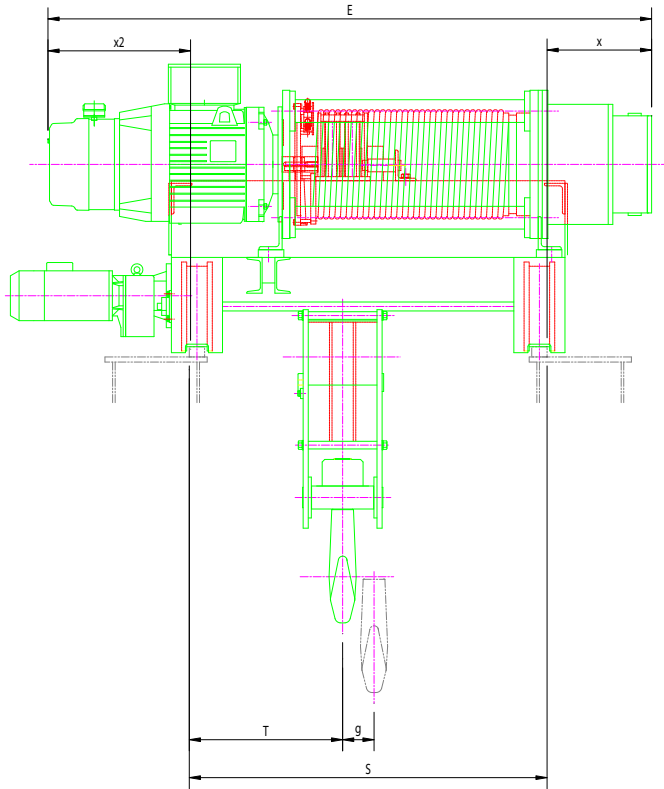
DWG. NO:

3171G-1626

DATE: 10/21/04

REVISION:

1



ACECO RESERVES THE RIGHT TO MAKE CHANGES WITHOUT NOTICE.

HOIST TECHNICAL DATA

| | | | | | |
|----------------|-----------------------|----------------|---------------|----------------|--|
| CAPACITY: | 50 TONS [100,000 LBS] | HOIST CLASS: | HMI H4 | HOIST MOTOR: | 50/8 HP AT 1800/300 RPM TEFC, S3 - 40%, CLASS "F" INSULATION |
| HOIST SPEED: | 11/1.7 FPM | POWER SUPPLY: | 460-3PH-60HZ | | |
| TROLLEY SPEED: | 86/20 FPM | HOIST MOTOR: | 6275-69 | TROLLEY MOTOR: | 3/88 HP AT 3260/780 RPM TEFC, S3 - 40%, CLASS "F" INSULATION |
| | | TROLLEY MOTOR: | 9100-1785R08G | | |

DIMENSIONAL INFORMATION

| HOIST TYPE | HEIGHT OF LIFT | | S INCHES (mm) | T INCHES (mm) | g1 INCHES (mm) | x1 INCHES (mm) | x2 INCHES (mm) | E INCHES (mm) | WEIGHT LBS (KG) |
|------------|----------------|---------|---------------------|---------------------|----------------------|----------------------|----------------------|---------------------|-----------------------|
| | METERS | FEET | | | | | | | |
| 3171G-1626 | 7.16 | 23'-6" | 55.11 (1400) | 23.62 (600) | 4.84 (123) | - | - | 93.7 (2380) | 6029 (2735) |
| 3171G-2626 | 10.50 | 34'-5" | 82.67 (2100) | 37.40 (950) | 7.16 (182) | - | - | 115.75 (2940) | 6580 (2985) |
| 3171G-3626 | - | - | - | - | - | - | - | - | - |
| 3171G-4626 | 13.83 | 45'-5" | 110.23 (2800) | 50.59 (1285) | 9.44 (240) | - | - | 129.9 (3300) | 7242 (3285) |
| 3171G-5626 | 15.83 | 51'-11" | 110.23 (2800) | 43.30 (1100) | 10.75 (273) | - | - | 137.4 (3490) | 7352 (3335) |
| 3171G-6626 | 18.83 | 61'-9" | 125.98 (3200) | 47.24 (1200) | 12.72 (323) | - | - | 149.2 (3790) | 7848 (3560) |
| 3171G-7626 | 21.66 | 71'-0" | - | - | - | - | - | - | - |
| 3171G-8626 | - | - | - | - | - | - | - | - | - |
| 3171G-9626 | 23.66 | 77'-7" | - | - | - | - | - | - | - |