



**AMERICAN CRANE  
& EQUIPMENT CORPORATION**  
DOUGLASSVILLE, PA. 19518 U.S.A.  
PHONE: 610-385-6061  
FAX: 610-385-3191

**3161  
TOP RUNNING TROLLEY**

**60 TON CAPACITY**

**PRODUCT INFORMATION**

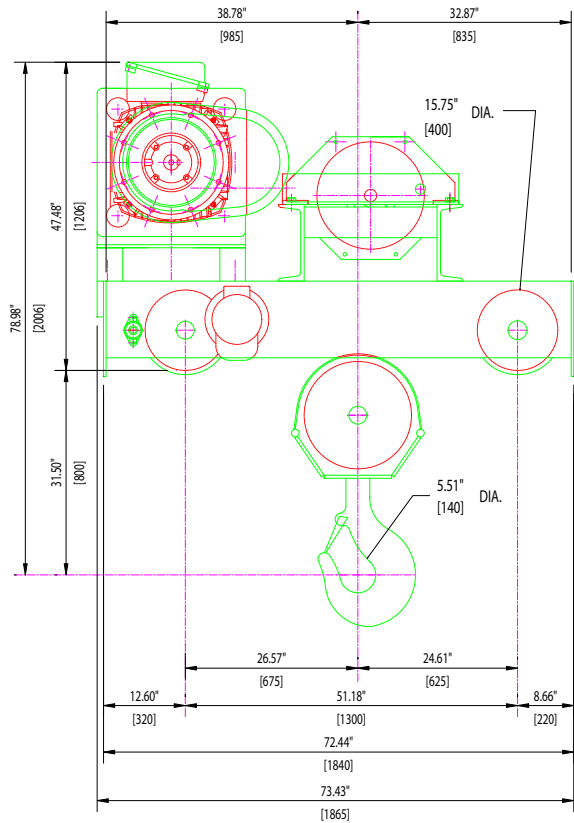
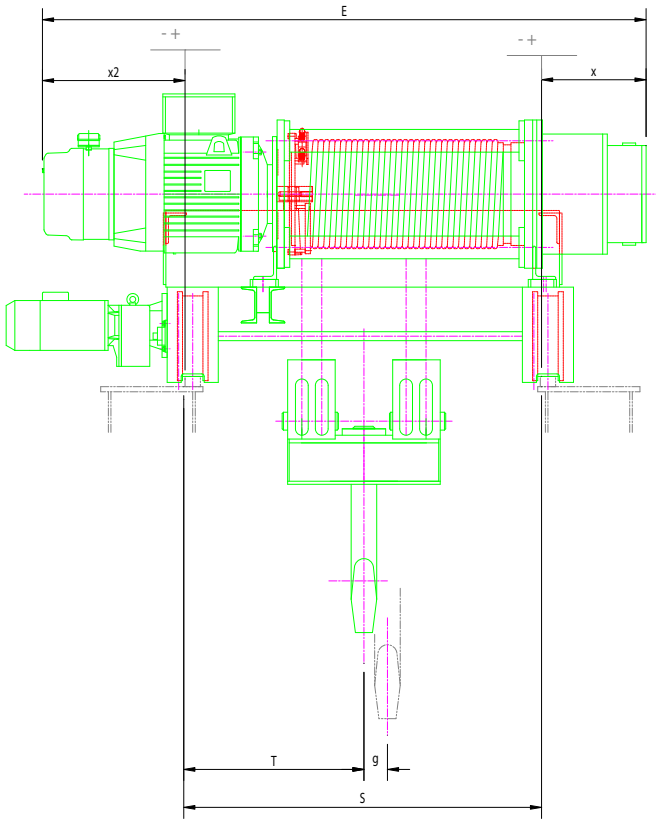
DWG. NO:

**3161B-1826**

DATE: 10/21/04

REVISION:

1



ACECO RESERVES THE RIGHT TO MAKE CHANGES WITHOUT NOTICE.

**HOIST TECHNICAL DATA**

CAPACITY:	60 TONS [120,000 LBS]	HOIST CLASS:	HMI H4	HOIST MOTOR:	50/8 HP AT 1800/300 RPM TEFC, S3 - 40%, CLASS "F" INSULATION
HOIST SPEED:	10/1.7 FPM	POWER SUPPLY:	460-3PH-60HZ		
TROLLEY SPEED:	84/19 FPM	HOIST MOTOR:	6275-69	TROLLEY MOTOR:	3/88 HP AT 3250/730 RPM TEFC, S3 - 40%, CLASS "F" INSULATION
		TROLLEY MOTOR:	(2) 9100-1785R08G		

**DIMENSIONAL INFORMATION**

HOIST TYPE	HEIGHT OF LIFT		S INCHES (mm)	T INCHES (mm)	g1 INCHES (mm)	x1 INCHES (mm)	x2 INCHES (mm)	E INCHES (mm)	WEIGHT LBS (KG)
	METERS	FEET							
3161B-1826	5.38	17'-7"	55.11 (1400)	27.75 (705)	3.62 (92)	-	-	93.70 (2380)	6457 (2935)
3161B-2826	7.88	25'-10"	82.67 (2100)	39.76 (1010)	5.35 (136)	-	-	115.75 (2940)	7007 (3185)
3161B-3826	-	-	-	-	-	-	-	-	-
3161B-4826	10.38	34'-0"	110.23 (2800)	53.54 (1360)	7.09 (180)	-	-	129.92 (3300)	7777 (3535)
3161B-5826	11.88	38'-11"	110.23 (2800)	49.61 (1260)	8.07 (205)	-	-	137.40 (3490)	7887 (3585)
3161B-6826	14.13	46'-4"	125.98 (3200)	53.54 (1360)	9.53 (242)	-	-	149.21 (3790)	8437 (3835)
3161B-7826	16.25	53'-3"	-	-	-	-	-	-	-
3161B-8826	-	-	-	-	-	-	-	-	-
3161B-9826	17.75	58'-2"	-	-	-	-	-	-	-