



**AMERICAN CRANE
& EQUIPMENT CORPORATION**
DOUGLASSVILLE, PA. 19518 U.S.A.
PHONE: 610-385-6061
FAX: 610-385-3191

**3151
TOP RUNNING TROLLEY**

35 TON CAPACITY

PRODUCT INFORMATION

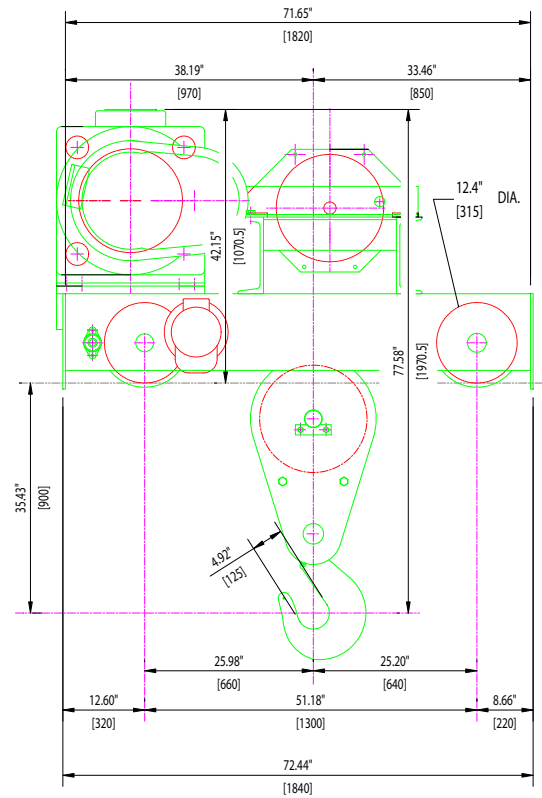
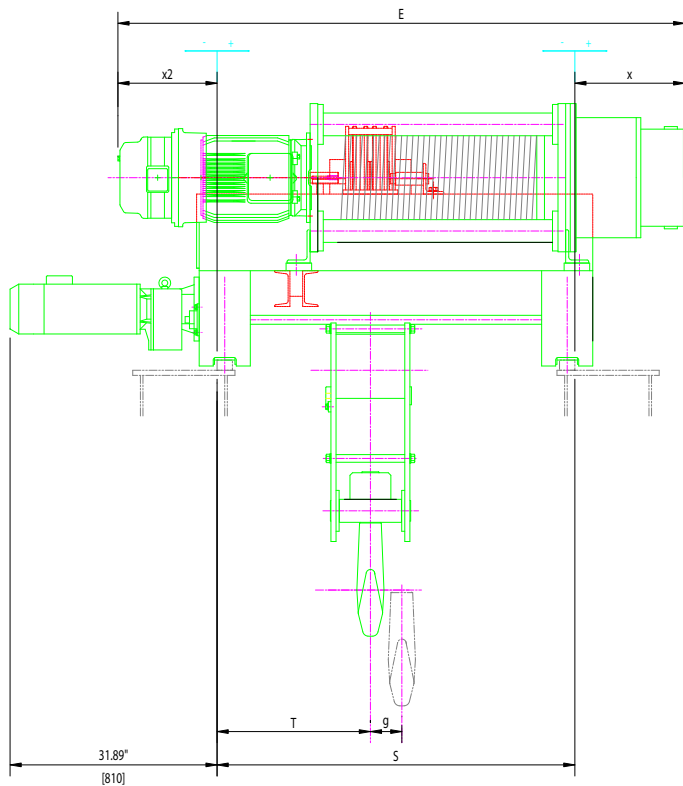
DWG. NO:

3151A-1626

DATE: 10/21/04

REVISION:

1



ACECO RESERVES THE RIGHT TO MAKE CHANGES WITHOUT NOTICE.

HOIST TECHNICAL DATA

CAPACITY:	35 TONS [70,000 LBS.]	HOIST CLASS:	HMI H4	HOIST MOTOR:	26.8/8.4 HP AT 1800/600 RPM TEFC, S3 - 40%, CLASS "F" INSULATION
HOIST SPEED:	9/3 FPM	POWER SUPPLY:	460-3PH-60HZ		
TROLLEY SPEED:	86/20 FPM	HOIST MOTOR:	6275-67	TROLLEY MOTOR:	3/88 HP AT 3260/780 RPM TEFC, S3 - 40%, CLASS "F" INSULATION
		TROLLEY MOTOR:	9100-1785R08G		

DIMENSIONAL INFORMATION

HOIST TYPE	HEIGHT OF LIFT		S INCHES (mm)	T INCHES (mm)	g1 INCHES (mm)	x1 INCHES (mm)	x2 INCHES (mm)	E INCHES (mm)	WEIGHT LBS (KG)
	METERS	FEET							
3151A-1626	7.16	23'-6"	55.11 (1400)	23.62 (600)	4.84 (123)	-	-	87.32 (2118)	5357 (2435)
3151A-2626	10.50	34'-5"	82.67 (2100)	37.4 (950)	7.17 (182)	-	-	101.10 (2568)	5907 (2685)
3151A-3626	-	-	-	-	-	-	-	-	-
3151A-4626	13.83	45'-4"	110.24 (2800)	50.59 (1285)	9.45 (240)	-	-	114.88 (2918)	6567 (2985)
3151A-5626	15.83	51'-11"	110.24 (2800)	43.3 (1100)	10.75 (273)	-	-	122.76 (3118)	6677 (3035)
3151A-6626	18.83	61'-9"	125.98 (3200)	47.24 (1200)	12.72 (323)	-	-	174.56 (3418)	7172 (3260)
3151A-7626	21.66	71'-0"	-	-	-	-	-	-	-
3151A-8626	-	-	-	-	-	-	-	-	-
3151A-9626	23.66	77'-7"	-	-	-	-	-	-	-