



**AMERICAN CRANE
& EQUIPMENT CORPORATION**
DOUGLASSVILLE, PA. 19518 U.S.A.
PHONE: 610-385-6061
FAX: 610-385-3191

**3141
TOP RUNNING TROLLEY**

30 TON CAPACITY

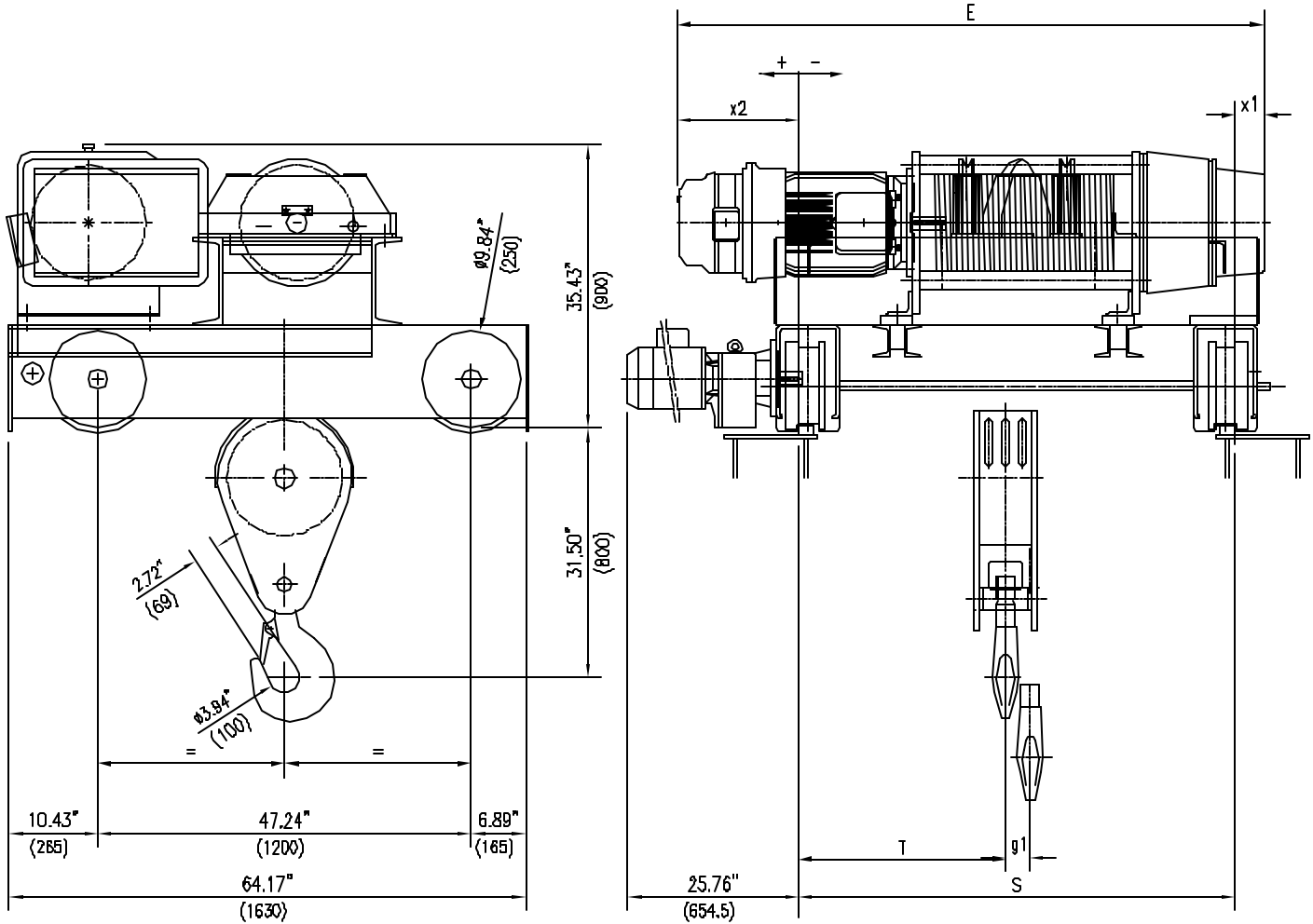
PRODUCT INFORMATION

DWG. NO:

3141A-1626

DATE: 01.07.00

REVISION: 0



ACECO RESERVES THE RIGHT TO MAKE CHANGES WITHOUT NOTICE.

HOIST TECHNICAL DATA

CAPACITY:	30 TONS (60000 LBS)	HOIST CLASS:	HMI H4	HOIST MOTOR:	26.8/8.4 HP, 1800/600 RPM, TEFC, S3 - 40%, CLASS "F" INSULATION
HOIST SPEED:	11 / 3 F.P.M (OPT. SPEEDS AVAILABLE)	POWER SUPPLY:	460V-3PH-60HZ	TROLLEY MOTOR:	2.4/.59 HP, 3600/900 RPM, TEFC, S3 - 80%, CLASS "F" INSULATION
TROLLEY SPEED:	83 / 20 F.P.M (OPT. SPEEDS AVAILABLE)	HOIST MOTOR:	B275-67		
		TROLLEY MOTOR:	9100-1575R08G		

DIMENSIONAL INFORMATION

HOIST TYPE	HEIGHT OF LIFT		S INCHES (mm)	T INCHES (mm)	E INCHES (mm)	g1 INCHES (mm)	x1 INCHES (mm)	x2 INCHES (mm)	WEIGHT LBS (KG)
	METERS	FEET							
3141A-1626	5.2	17'-0"	55.11 (1400)	25.88 (660)	74.17 (1884)	3.15 (80)	9.98 (253)	9.09 (231)	3881 (1760)
3141A-2626	8.0	26'-3"	55.11 (1400)	25.20 (640)	84.25 (2140)	4.84 (123)	18.50 (470)	10.63 (270)	3991 (1810)
3141A-3626	12.7	41'-8"	82.68 (2100)	37.48 (952)	101.93 (2589)	7.75 (197)	14.57 (370)	4.68 (119)	4432 (2010)
3141A-4626	-	-	-	-	-	-	-	-	-
3141A-5626	16.7	54'-10"	110.24 (2800)	50.04 (1271)	116.10 (2949)	10.16 (258)	17.72 (450)	-11.85 (-301)	4575 (2075)