



**AMERICAN CRANE
& EQUIPMENT CORPORATION**
DOUGLASSVILLE, PA. 19518 U.S.A.
PHONE: 610-385-6061
FAX: 610-385-3191

**3141
TOP RUNNING TROLLEY**

20 TON CAPACITY

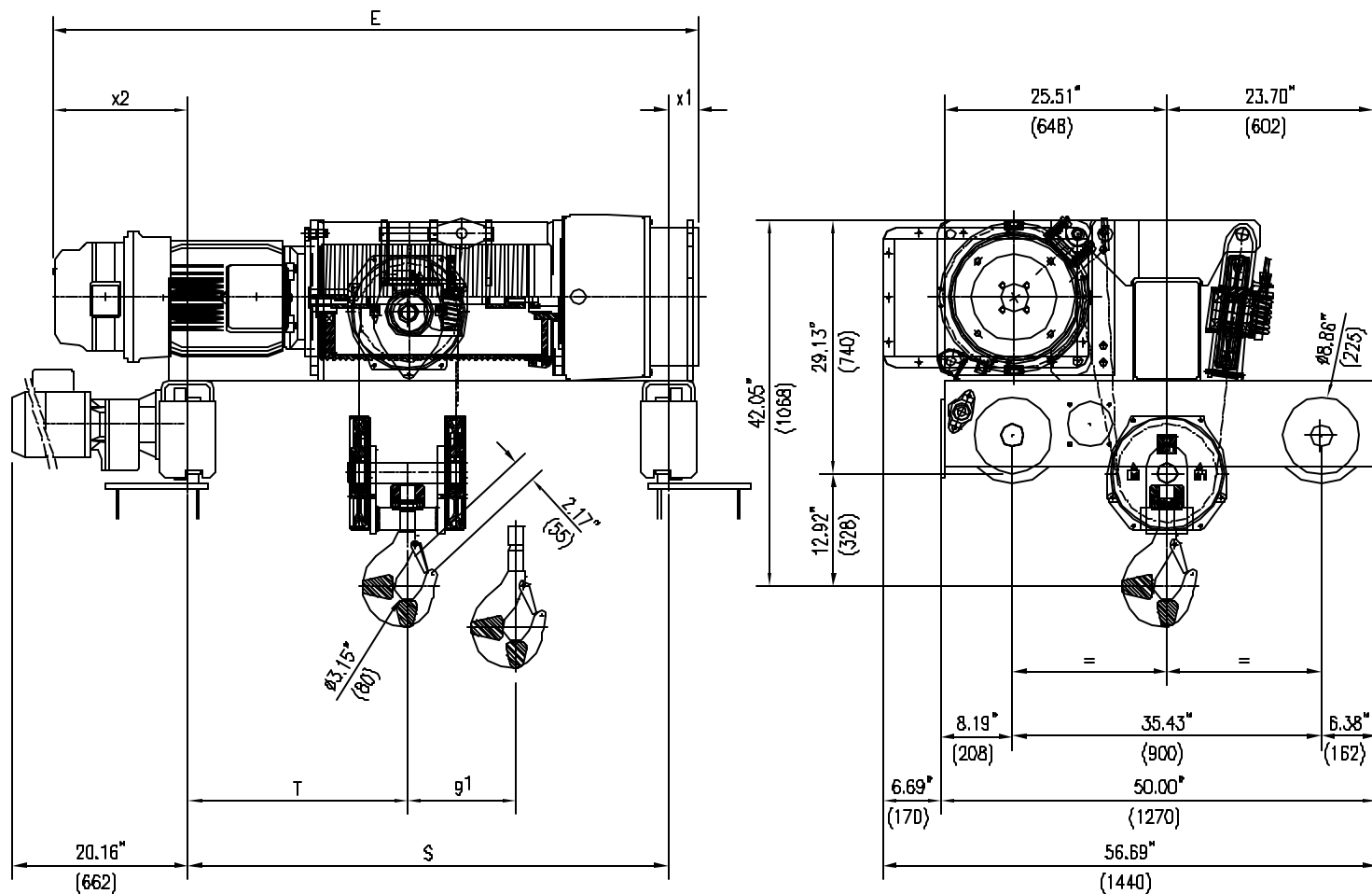
PRODUCT INFORMATION

DWG. NO:

3141A-1426

DATE: 01.07.00

REVISION: 0



ACECO RESERVES THE RIGHT TO MAKE CHANGES WITHOUT NOTICE.

HOIST TECHNICAL DATA

CAPACITY:	20 TONS (40000 LBS)	HOIST CLASS:	HMI H4	HOIST MOTOR:	25.8/8.4 HP, 1800/600 RPM, TEFC, S3 - 40%, CLASS "F" INSULATION
HOIST SPEED:	17 / 6 F.P.M { OPT. SPEEDS AVAILABLE }	POWER SUPPLY:	460V-3PH-60HZ	TROLLEY MOTOR:	2.4/.6 HP, 3600/900 RPM, TEFC, S3 - 80%, CLASS "F" INSULATION
TROLLEY SPEED:	75 / 18 F.P.M { OPT. SPEEDS AVAILABLE }	HOIST MOTOR:	6275-67		
		TROLLEY MOTOR:	9100-1575R08G		

DIMENSIONAL INFORMATION

HOIST TYPE	HEIGHT OF LIFT		S INCHES (mm)	T INCHES (mm)	E INCHES (mm)	g1 INCHES (mm)	x1 INCHES (mm)	x2 INCHES (mm)	WEIGHT LBS (KG)
	METERS	FEET							
3141A-1426	7.7	25'-3"	55.11 (1400)	25.19 (640)	74.17 (1884)	4.72 (120)	8.48 (215)	6.61 (168)	3113 (1415)
3141A-2426	11.8	38'-8"	55.11 (1400)	24.02 (610)	84.25 (2140)	7.28 (185)	15.74 (400)	13.39 (340)	3223 (1465)
3141A-3426	19.2	63'-0"	82.68 (2100)	35.43 (900)	101.93 (2589)	11.65 (298)	15.35 (390)	3.90 (99)	3641 (1655)
3141A-4426	-	-	-	-	-	-	-	-	-
3141A-5426	25.0	82'-0"	82.68 (2100)	33.70 (856)	116.10 (2949)	15.27 (388)	25.59 (650)	7.83 (199)	3784 (1720)