



**AMERICAN CRANE
& EQUIPMENT CORPORATION**
DOUGLASSVILLE, PA. 19518 U.S.A.
PHONE: 610-385-6061
FAX: 610-385-3191

**3141
TOP RUNNING TROLLEY**

10 TON CAPACITY

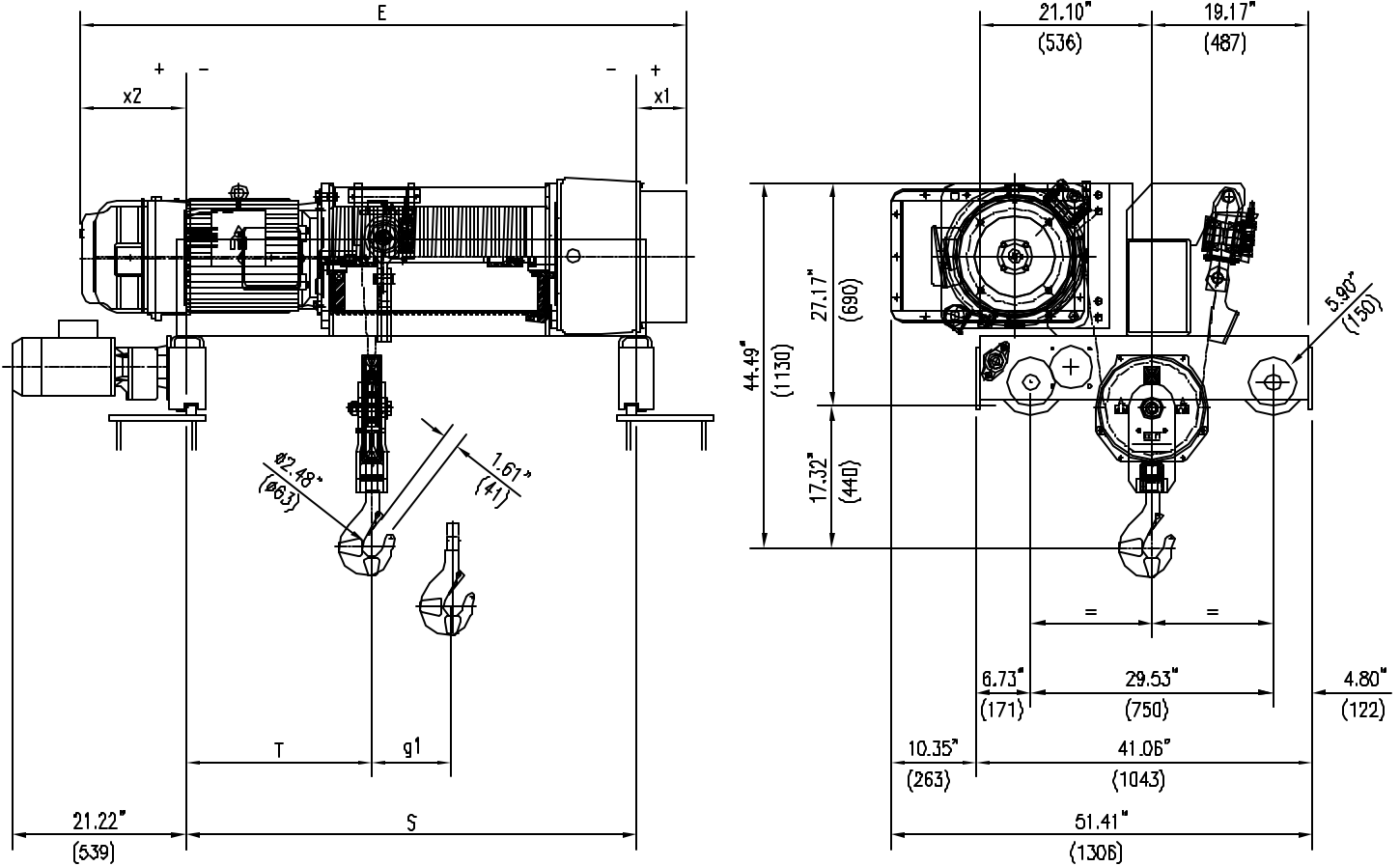
PRODUCT INFORMATION

DWG. NO:

3141A-1226

DATE: 01.07.00

REVISION: 0



ACECO RESERVES THE RIGHT TO MAKE CHANGES WITHOUT NOTICE.

HOIST TECHNICAL DATA

CAPACITY:	10 TONS (20000 LBS)	HOIST CLASS:	HMI H4	HOIST MOTOR:	26.8/8.4 HP, 1800/600 RPM, TEFC, S3 - 40%, CLASS "F" INSULATION
HOIST SPEED:	34 / 10 F.P.M { OPT. SPEEDS AVAILABLE }	POWER SUPPLY:	460V-3PH-60HZ	TROLLEY MOTOR:	2.4/6 HP, 3600/900 RPM, TEFC, S3 - 60%, CLASS "F" INSULATION
TROLLEY SPEED:	67 / 16 F.P.M { OPT. SPEEDS AVAILABLE }	HOIST MOTOR:	6275-87		
		TROLLEY MOTOR:	9100-1145R08G		

DIMENSIONAL INFORMATION

HOIST TYPE	HEIGHT OF LIFT		S INCHES (mm)	T INCHES (mm)	E INCHES (mm)	g1 INCHES (mm)	x1 INCHES (mm)	x2 INCHES (mm)	WEIGHT LBS (KG)
	METERS	FEET							
3141A-1226	15.5	50'-10"	55.11 (1400)	22.83 (580)	74.17 (1884)	9.49 (241)	9.06 (230)	10 (254)	2673 (1215)
3141A-2226	23.7	77'-9"	55.11 (1400)	20.28 (515)	84.25 (2140)	14.53 (369)	14.17 (360)	14.96 (380)	2783 (1265)
3141A-3226	38.2	125'-3"	82.68 (2100)	26.69 (754)	101.93 (2589)	23.35 (593)	11.61 (295)	7.64 (194)	3060 (1391)
3141A-4226	-	-	-	-	-	-	-	-	-
3141A-5226	50.1	164'-5"	82.68 (2100)	26.06 (662)	116.10 (2949)	30.59 (777)	18.70 (475)	14.72 (374)	3201 (1455)