



**AMERICAN CRANE
& EQUIPMENT CORPORATION**
DOUGLASSVILLE, PA. 19518 U.S.A.
PHONE: 610-385-6061
FAX: 610-385-3191

**LOW HEADROOM
MONORAIL TROLLEY**

10 TON CAPACITY

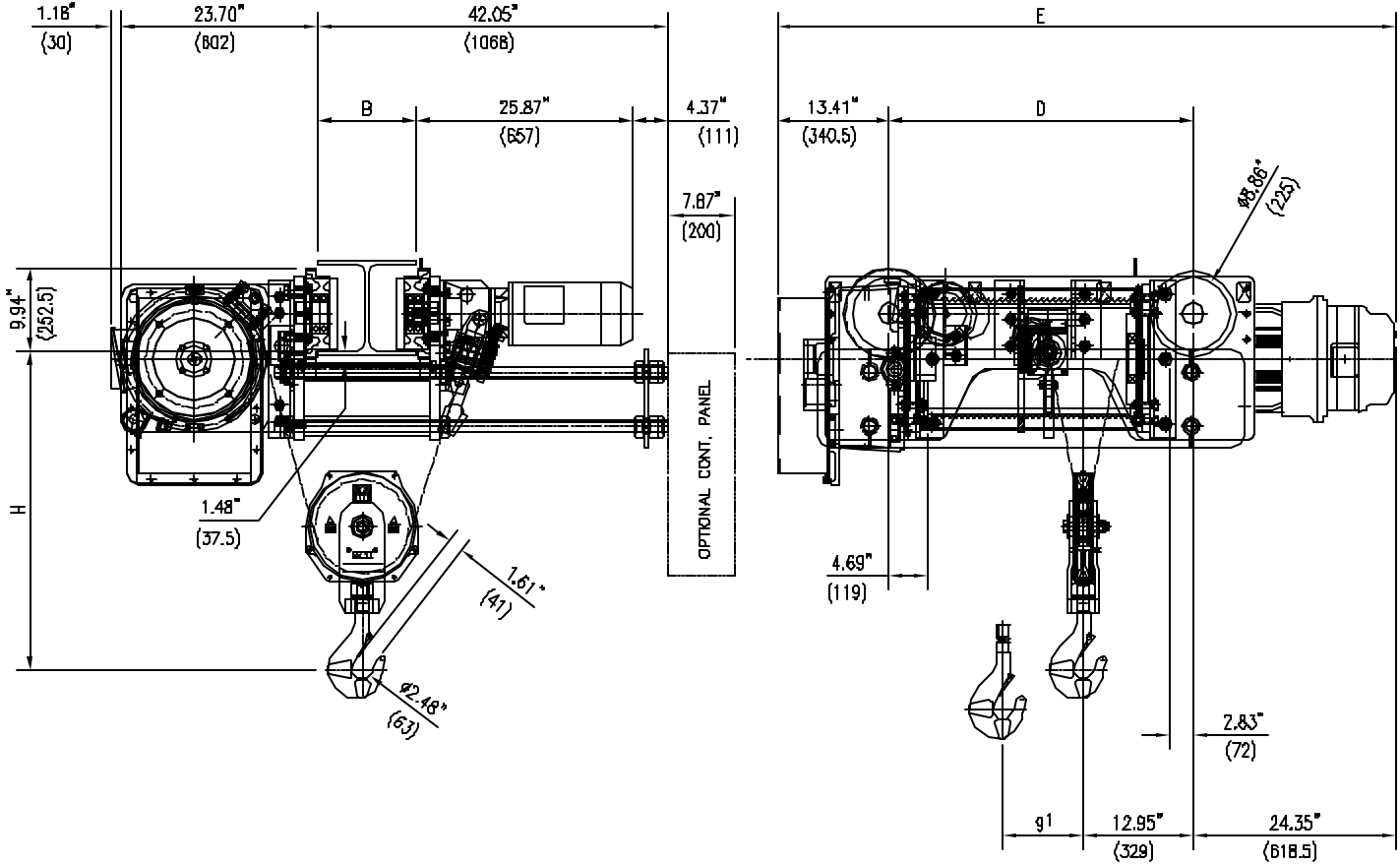
PRODUCT INFORMATION

DWG. NO:

3141A-1223

DATE: 10.11.00

REVISION: 0



ACECO RESERVES THE RIGHT TO MAKE CHANGES WITHOUT NOTICE.

HOIST TECHNICAL DATA

CAPACITY:	10 TONS (20000 LBS)	HOIST CLASS:	HMI H4	HOIST MOTOR:	26.8/8.4 HP, 1800/600 RPM, TEFC, S3 - 40%, CLASS "F" INSULATION
HOIST SPEED:	34 / 10 F.P.M { OPT. SPEEDS AVAILABLE }	POWER SUPPLY:	460V-3PH-60HZ		
TROLLEY SPEED:	75 / 18 F.P.M. { OPT. SPEEDS AVAILABLE }	HOIST MOTOR:	6275-67	TROLLEY MOTOR:	2.4/.6 HP, 3600/900 RPM, TEFC, S3 - 60%, CLASS "F" INSULATION
		TROLLEY MOTOR:	9100-1575R08G		

DIMENSIONAL INFORMATION

HOIST TYPE	HEIGHT OF LIFT		g1 INCHES (mm)	D INCHES (mm)	E INCHES (mm)	WEIGHT LBS (KG)	FLANGE WIDTH "B"		HEADROOM "H"	
	METERS	FEET					mm	INCHES	mm	INCHES
3141A-1223	15.5	50'-10"	9.49 (241)	36.42 (925)	74.17 (1884)	3087 (1400)	≤ 200	≤ 7.87	950	37.40
3141A-2223	23.7	77'-9"	14.53 (369)	46.50 (1181)	84.25 (2140)	3418 (1550)	≤ 305	≤ 12.00	900	35.43
3141A-3223	38.2	125'-4"	23.35 (593)	64.17 (1630)	101.93 (2589)	3925 (1780)	≤ 406	≤ 15.98	850	33.46
3141A-4223	-	-	-	-	-	-	≤ 500	≤ 19.68	950	37.40
3141A-5223	50.1	164'-5"	30.59 (777)	78.35 (1990)	116.10 (2949)	4234 (1920)	≤ 600	≤ 23.62	1050	41.34