



**AMERICAN CRANE
& EQUIPMENT CORPORATION**
DOUGLASSVILLE, PA. 19518 U.S.A.
PHONE: 610-385-6061
FAX: 610-385-3191

**LOW HEADROOM
MONORAIL TROLLEY**

15 TON CAPACITY

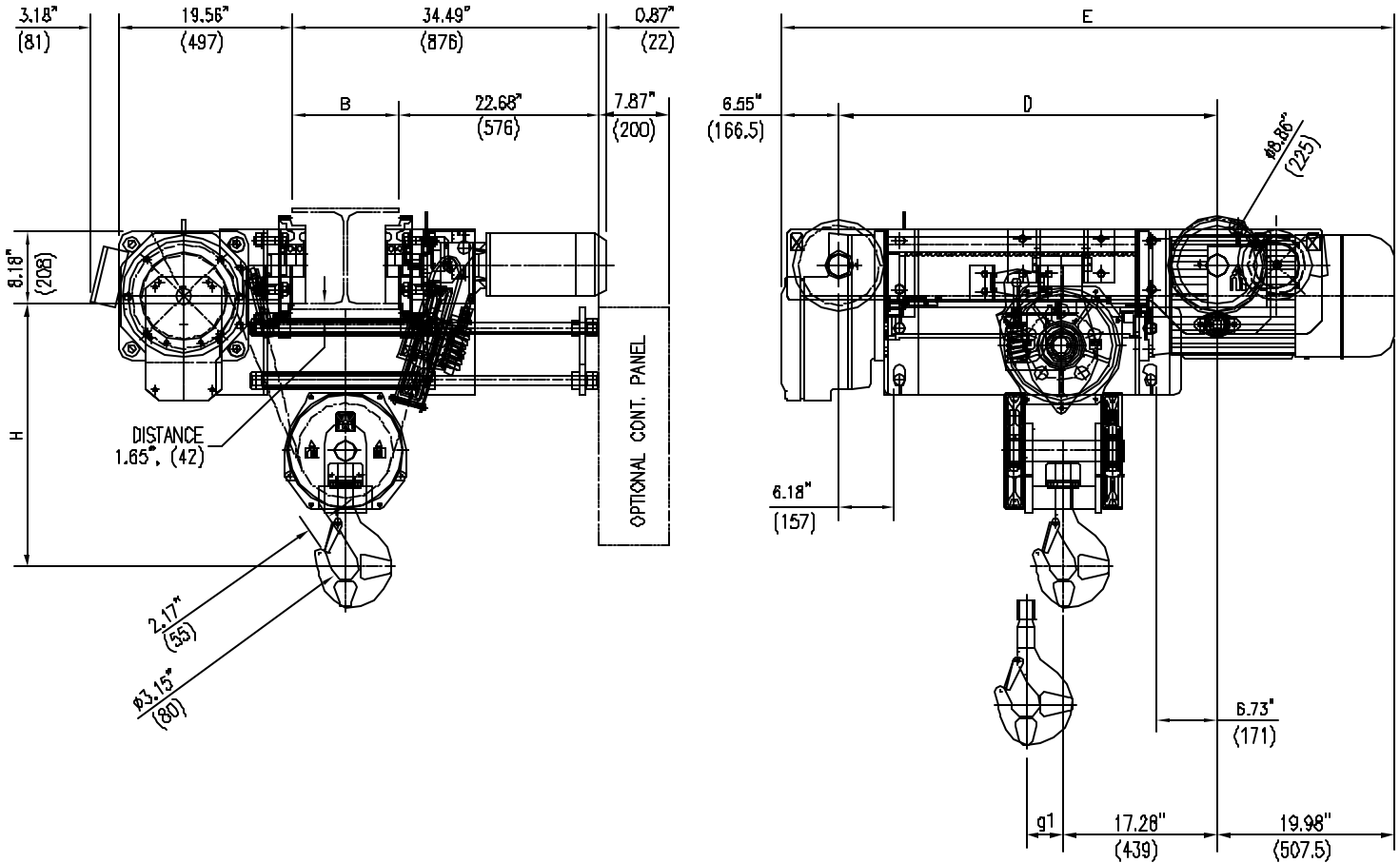
PRODUCT INFORMATION

DWG. NO:

3131B-1423

DATE: 01.11.00

REVISION: 0



ACECO RESERVES THE RIGHT TO MAKE CHANGES WITHOUT NOTICE.

HOIST TECHNICAL DATA

CAPACITY:	15 TONS (30000 LBS)	HOIST CLASS:	HMI H4	HOIST MOTOR:	21.5/6.7 HP, 1800/600 RPM, TEFC, S3 - 30%, CLASS "F" INSULATION
HOIST SPEED:	17 / 6 F.P.M. (OPT. SPEEDS AVAILABLE)	POWER SUPPLY:	460V-3PH-60HZ		
TROLLEY SPEED:	75 / 17 F.P.M. (OPT. SPEEDS AVAILABLE)	HOIST MOTOR:	6275-62A	TROLLEY MOTOR:	1.2/3 HP, 3600/900 RPM, TEFC, S3 - 60%, CLASS "F" INSULATION
		TROLLEY MOTOR:	9100-1355R08G		

DIMENSIONAL INFORMATION

HOIST TYPE	HEIGHT OF LIFT		g1 INCHES (mm)	D INCHES (mm)	E INCHES (mm)	WEIGHT LBS (KG)	FLANGE WIDTH "B"		HEADROOM "H"	
	METERS	FEET					mm	INCHES	mm	INCHES
3131B-1423	8.0	26'-3"	5.71 (145)	42.52 (1080)	69.05 (1754)	1852 (840)	< 200	< 7.87	700	27.53
3131B-2423	11.0	36'-1"	7.87 (200)	51.18 (1300)	77.72 (1974)	2040 (925)	< 305	< 12.00	700	27.55
3131B-3423	15.1	49'-6"	10.83 (275)	62.99 (1600)	89.53 (2274)	2172 (985)	< 406	< 15.98	775	30.51
3131B-4423	21.3	69'-10"	15.24 (387)	80.71 (2050)	107.24 (2724)	2514 (1140)	< 500	< 19.68	875	34.45
							< 600	< 23.62	1000	39.37