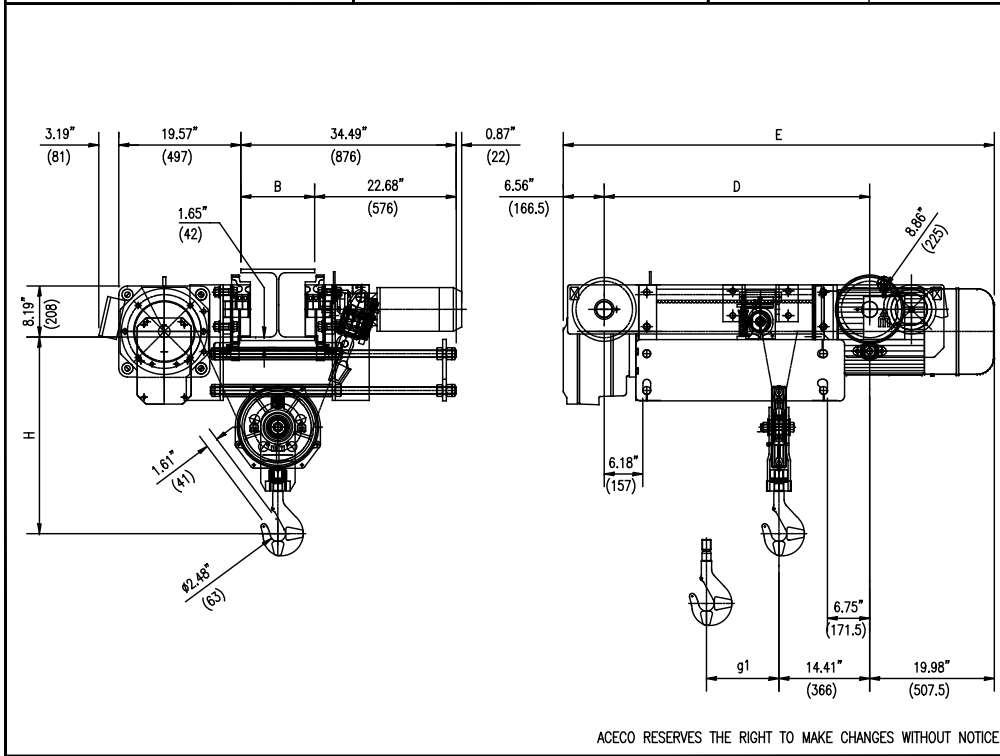
 <b>AMERICAN CRANE &amp; EQUIPMENT CORPORATION</b> DOUGLASSVILLE, PA. 19518 U.S.A. PHONE: 610-385-6061 FAX: 610-385-3191	<b>LOW HEADROOM MONORAIL TROLLEY</b>		<b>PRODUCT INFORMATION</b>	
	<b>7 1/2 TON CAPACITY</b>		DWG. NO: <b>3131B-1223</b>	DATE: 01.11.00



ACECO RESERVES THE RIGHT TO MAKE CHANGES WITHOUT NOTICE.

**HOIST TECHNICAL DATA**

CAPACITY:	7 1/2 TONS (15000 LBS)	HOIST CLASS:	HMI H4	HOIST MOTOR:	21.5/6.7 HP, 1800/600 RPM, TEFC, S3 - 30%, CLASS "F" INSULATION
HOIST SPEED:	34 / 10 F.P.M. ( OPT. SPEEDS AVAILABLE )	POWER SUPPLY:	460V-3PH-60HZ	TROLLEY MOTOR:	1.2/3 HP, 3600/900 RPM, TEFC, S3 - 60%, CLASS "F" INSULATION
TROLLEY SPEED:	75 / 17 F.P.M. ( OPT. SPEEDS AVAILABLE )	HOIST MOTOR:	6275-62A		

**DIMENSIONAL INFORMATION**

HOIST TYPE	HEIGHT OF LIFT		g1 INCHES ( mm )	D INCHES ( mm )	E INCHES ( mm )	WEIGHT LBS ( KG )	FLANGE WIDTH "B"		HEADROOM "H"	
	METERS	FEET					mm	INCHES	mm	INCHES
3131B-1223	16.0	52'-6"	11.42 ( 290 )	42.52 ( 1080 )	69.05 ( 1754 )	1752 ( 795 )	< 200	< 7.87	775	30.51
3131B-2223	22.0	72'-2"	15.75 ( 400 )	51.18 ( 1300 )	77.72 ( 1974 )	1830 ( 830 )	< 305	< 12.00	775	30.51
3131B-3223	30.3	99'-5"	21.65 ( 550 )	62.99 ( 1600 )	89.53 ( 2274 )	2073 ( 940 )	< 406	< 15.98	850	33.46
3131B-4223	42.6	139'-9"	30.51 ( 775 )	80.71 ( 2050 )	107.24 ( 2724 )	2414 ( 1095 )	< 500	< 19.68	950	37.40
							< 600	< 23.62	1075	42.32