



**AMERICAN CRANE
& EQUIPMENT CORPORATION**
DOUGLASSVILLE, PA. 19518 U.S.A.
PHONE: 610-385-6061
FAX: 610-385-3191

**LOW HEADROOM
MONORAIL TROLLEY**

5 TON CAPACITY

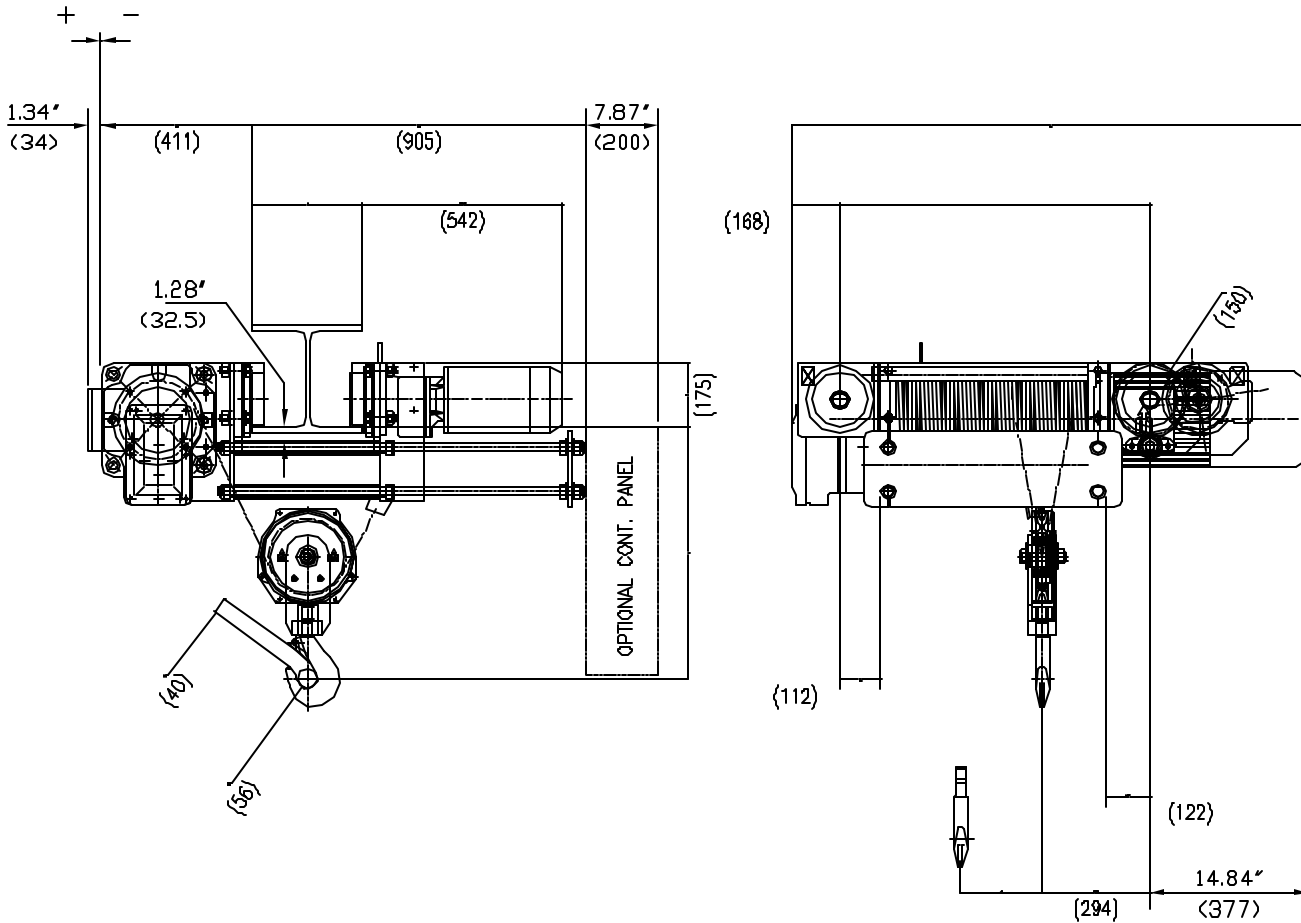
PRODUCT INFORMATION

DWG. NO:

3122B-1223

DATE: 08.11.00

REVISION: 0



ACECO RESERVES THE RIGHT TO MAKE CHANGES WITHOUT NOTICE.

HOIST TECHNICAL DATA

CAPACITY:	5 TONS (10000 LBS)	HOIST CLASS:	HMI H4	HOIST MOTOR:	12/4 HP, 1800/600 RPM, TEFC, S3 - 40%, CLASS "F" INSULATION
HOIST SPEED:	32 / 10 F.P.M { OPT. SPEEDS AVAILABLE }	POWER SUPPLY:	460V-3PH-60HZ		
TROLLEY SPEED:	67 / 16 F.P.M. { OPT. SPEEDS AVAILABLE }	HOIST MOTOR:	6275-58A	TROLLEY MOTOR:	.9/2 HP, 3600/900 RPM, TEFC, S3 - 60%, CLASS "F" INSULATION
		TROLLEY MOTOR:	9100-1145R08G		

DIMENSIONAL INFORMATION

HOIST TYPE	HEIGHT OF LIFT		g1 INCHES { mm }	D INCHES { mm }	E INCHES { mm }	WEIGHT LBS { KG }	FLANGE WIDTH "B"		HEADROOM "H"	
	METERS	FEET					mm	INCHES	mm	INCHES
3122B-1223	13.1	43'-0"	8.74 { 222 }	{ 33.27 } 845	57.48 { 1460 }	1278 { 580 }	≤ 200	≤ 7.87	650	25.59
3122B-2223	17.8	58'-5"	11.69 { 297 }	{ 39.17 } 995	63.39 { 1610 }	1323 { 600 }	≤ 305	≤ 12.00	650	25.59
3122B-3223	24.4	80'-0"	16.02 { 407 }	{ 47.83 } 1215	72.05 { 1830 }	1455 { 660 }	≤ 406	≤ 15.98	800	31.50
3122B-4223	33.4	109'-7"	21.93 { 557 }	{ 59.65 } 1515	83.86 { 2130 }	1621 { 735 }	≤ 500	≤ 19.68	890	35.04
3122B-5223	41.8	137'-2"	{ 27.44 } 697	{ 70.67 } { 1795 }	94.88 { 2410 }	1896 { 860 }	≤ 600	≤ 23.62	1000	39.37