



**AMERICAN CRANE
& EQUIPMENT CORPORATION**
DOUGLASSVILLE, PA. 19518 U.S.A.
PHONE: 610-385-6061
FAX: 610-385-3191

**LOW HEADROOM
MONORAIL TROLLEY**

3 TON CAPACITY

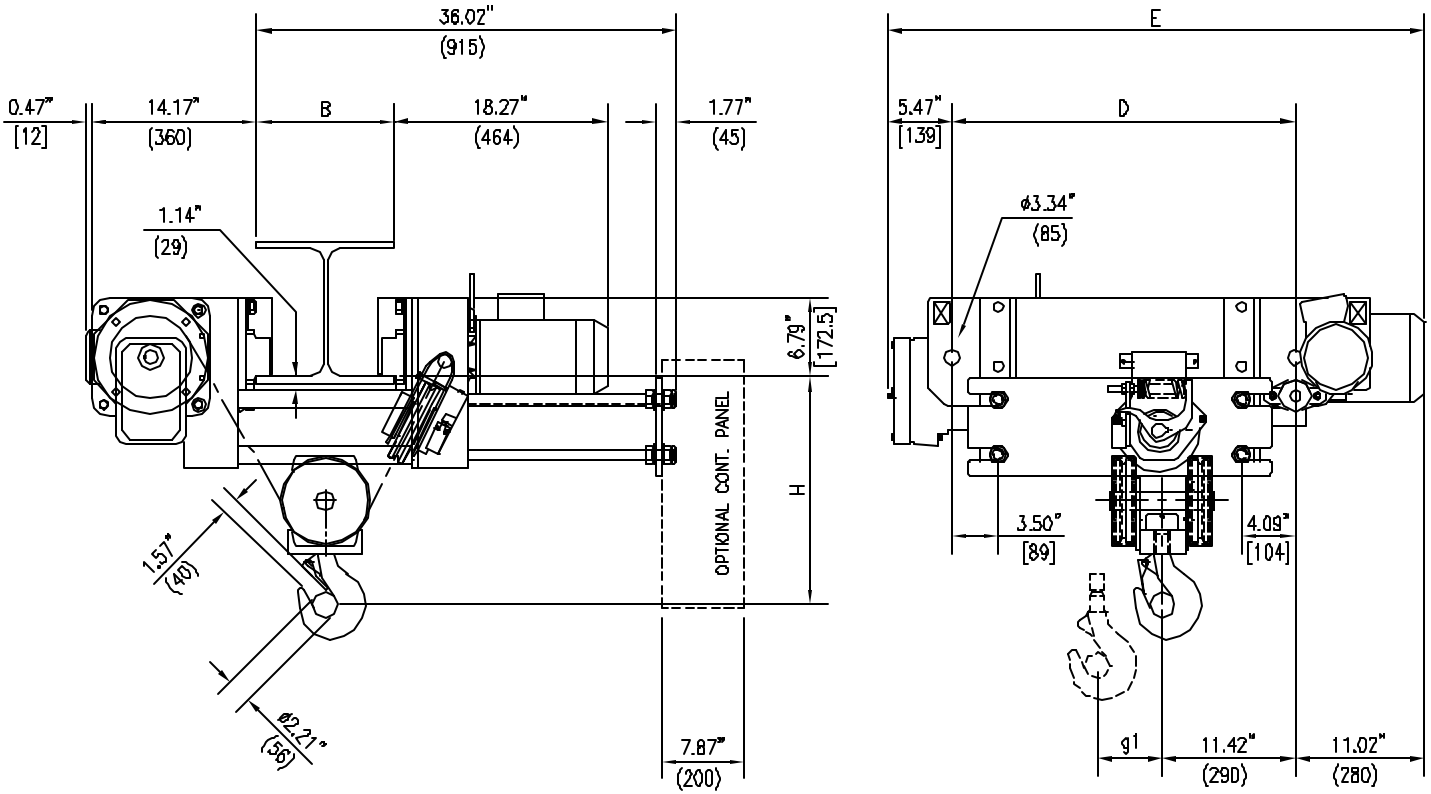
PRODUCT INFORMATION

DWG. NO:

3101D-1423

DATE: 23.4.01

REVISION: B



ACECO RESERVES THE RIGHT TO MAKE CHANGES WITHOUT NOTICE.

HOIST TECHNICAL DATA

CAPACITY:	3 TONS (6000 LBS)	HOIST CLASS:	HMI H4	HOIST MOTOR:	4/1 HP, 3600/900 RPM, TEFC, S3 - 30%, CLASS "F" INSULATION
HOIST SPEED:	16 / 4 F.P.M. { OPT. SPEEDS AVAILABLE }	POWER SUPPLY:	460V-3PH-60HZ		
TROLLEY SPEED:	67 / 15 F.P.M. { OPT. SPEEDS AVAILABLE }	HOIST MOTOR:	6275-51	TROLLEY MOTOR:	4/1 HP, 3600/900 RPM, TEFC, S3 - 60%, CLASS "F" INSULATION
		TROLLEY MOTOR:	9100-1035R08G		

DIMENSIONAL INFORMATION

HOIST TYPE	HEIGHT OF LIFT		g1 INCHES (mm)	D INCHES (mm)	E INCHES (mm)	WEIGHT LBS (KG)	FLANGE WIDTH "B"		HEADROOM "H"	
	METERS	FEET					mm	INCHES	mm	INCHES
3101D-1423	7.1	23'-3"	4.13 (105)	29.45 (748)	45.41 (1167)	748 (340)	≤200	≤7.87	490	19.29
3101D-2423	10.1	33'-1"	5.91 (150)	36.54 (928)	53.03 (1347)	807 (367)	≤305	≤12.00	495	19.49
3101D-3423	12.5	41'-0"	7.28 (185)	42.05 (1068)	58.54 (1487)	856 (389)	≤406	≤15.98	588	23.15
3101D-4423	17	55'-9"	9.88 (251)	52.48 (1333)	68.98 (1752)	950 (432)	≤500	≤19.68	680	26.77
3101D-5423	21.3	69'-10"	12.40 (315)	62.44 (1588)	78.94 (2005)	1014 (461)	≤600	≤23.62	775	30.51