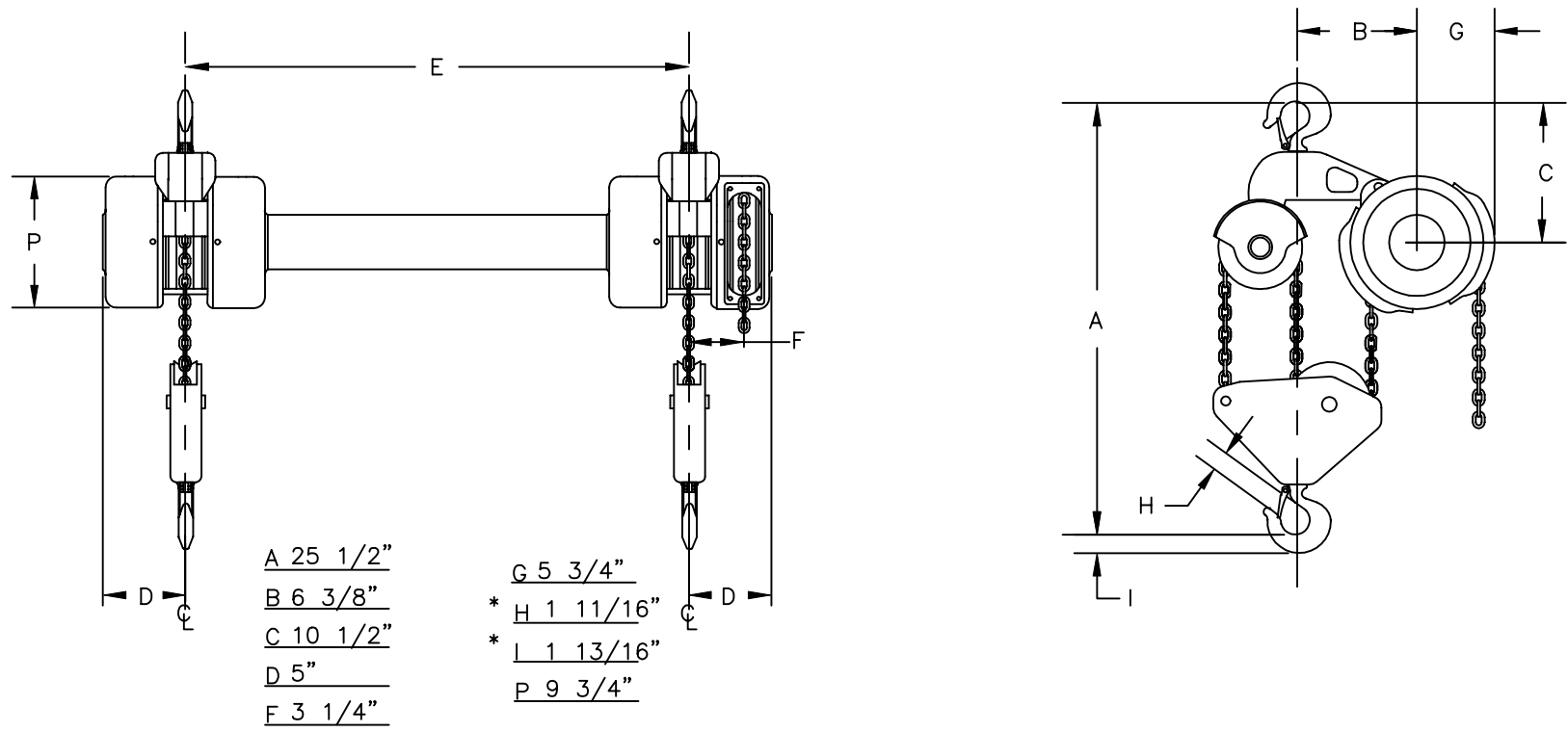


FOR MORE INFO CONTACT: American Crane & Equipment Corp. - Authorized Distributor
 Tel: 877-503-2972 Fax: 484-945-0430 Email: sales@americancrane.com Website: www.americancrane.com



* DIM. FOR TOP & BOTTOM HOOK

5 & 6 TON TWIN HOOK
 SPUR GEARED HOIST

CHESTER HOIST
 LISBON, OHIO

DR. RLB	TR.	CK.	AP.
SCALE NONE		DATE 6-19-00	
REF. DWG. NO. 5THH			

Dwg. No. CD037

MK.	REVISIONS	CK-DATE