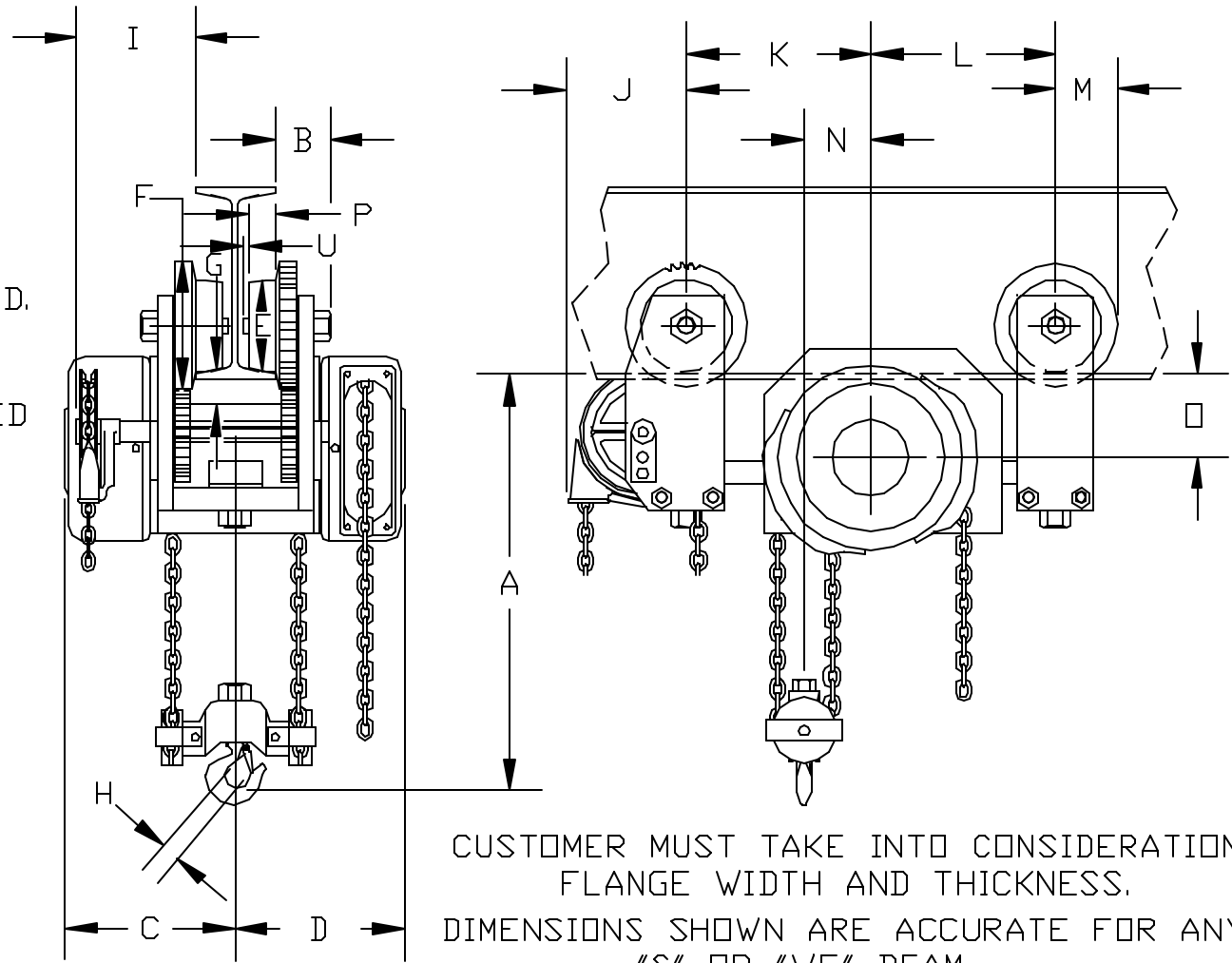


FOR MORE INFO CONTACT: American Crane & Equipment Corp. - Authorized Distributor
 Tel: 877-503-2972 Fax: 484-945-0430 Email: sales@americancrane.com Website: www.americancrane.com

- A 8 1/4" P1 11/32"
- B 2 9/16"
- C 9 7/8"
- D 9 7/8"
- E 6 3/8" WH'L. TREAD O.D.
- F 8" WH'L. FLG. O.D.
- G 15/16" PLAIN OR GEARED
- H 1 11/32"
- * I 8 1/8"
- * J 6 1/8"
- K 11 9/16"
- L 7 11/16"
- M 4"
- N 3"
- O 3 7/16" U 3/16"
- * GEARED UNITS ONLY
UNIT NOT ADJUSTABLE



CUSTOMER MUST TAKE INTO CONSIDERATION
 FLANGE WIDTH AND THICKNESS.
 DIMENSIONS SHOWN ARE ACCURATE FOR ANY
 "S" OR "WF" BEAM

FLAT TREAD WHEELS (NOT SHOWN) SUPPLIED FOR "WF" BEAM APPLICATIONS

	3 TON SWIVEL TRUCK LOW HEADROOM CHESTER HOIST LISBON, OHIO	DR. RLB	TR.	CK.	AP.
		SCALE NONE		DATE 6-19-00	
R2 AXLE DIM RLB 11/18/02		REF. DWG. NO.		CL3ST	
R1 TON CHG. RLB 10/15/02		Dwg. No. CD050			
MK.	REVISIONS	CK-DATE			