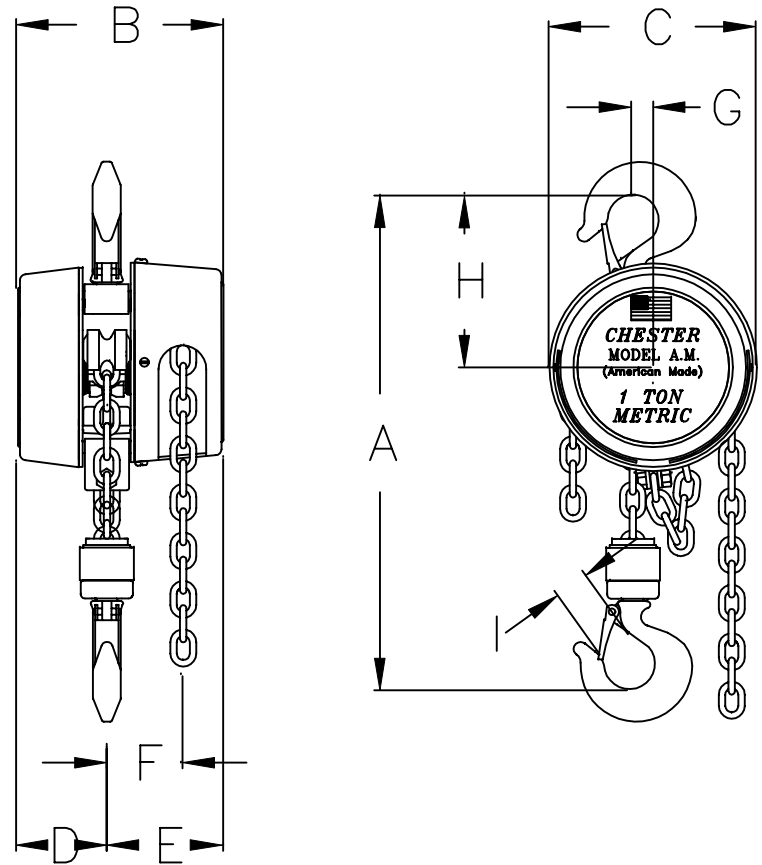


FOR MORE INFO CONTACT:
 American Crane & Equipment Corp.
 Authorized Distributor
 Tel: 877-503-2972
 Fax: 484-945-0430
 Email: sales@americancrane.com
 www.americancrane.com



A	B	C	D	E	F	G	H	I
12 1/8"	6 1/2"	6 1/4"	2 13/16"	3 11/16"	2 1/2"	1/2"	5"	7/8"

R2	CAP TAG CHG RLB	12/4/00
MK.	REVISIONS	CK-DATE

1 METRIC TON
 "AM" HOIST
 CHESTER HOIST
 LISBON, OHIO

DR. RLB	TR.	CK.	AP.
SCALE NONE		DATE 6-19-00	
REF. DWG. NO.		1AM	
Dwg. No. CD013			