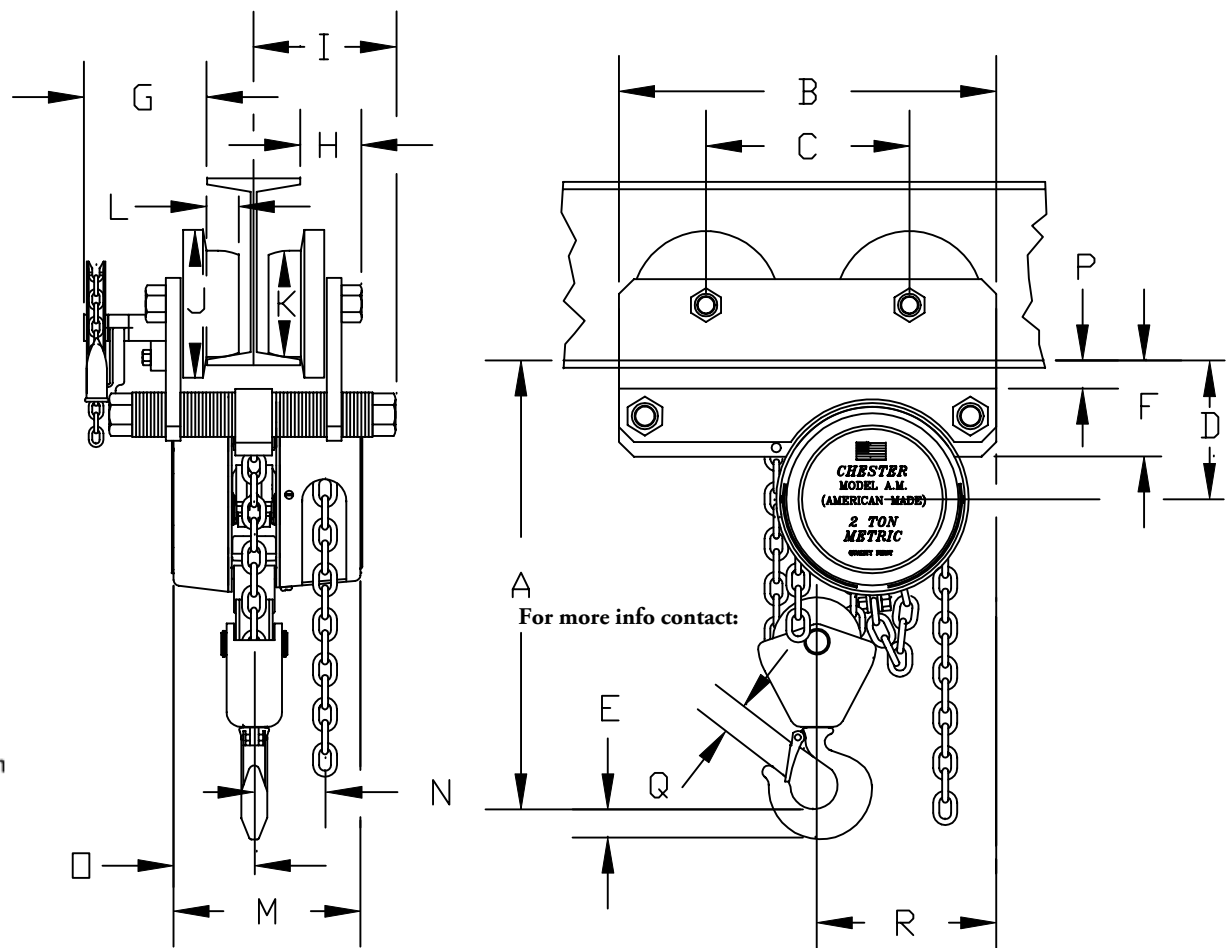


THIS UNIT IS ADJUSTABLE FROM 3" TO 5 1/2" BEAM FLANGE WIDTH

NO. REQ. 1



For more info contact:
ACECO AMERICAN CRANE & EQUIPMENT CORPORATION
 www.americancrane.com
 Phone (877) 503-2972
 E-mail sales@americancrane.com
 Fax (484) 945-0430

For more info contact:

A	B	C	D	E	F	G	H	I	J	K	L	M	N	□	P	Q	R
13 11/16"	12 3/4"	6 7/8"	4 11/16"	1"	3 1/4"	5"	2"	5 7/16"	5"	3 3/4"	1 1/16"	6 1/2"	2 1/2"	2 13/16"	1"	1"	4 3/16"

* FOR PLAIN UNITS "I" IS THE SAME FOR BOTH SIDES OF UNIT
 MAX. LIFT FOR THIS UNIT IS 30'

R1	CONT. REMOVED RLB 11/16/00	
MK.	REVISIONS	CK-DATE

1 1/2 & 2 METRIC TON CHESTER "AM"
 ARMY TYPE HOIST
CHESTER HOIST
 LISBON, OHIO

DR. RLB	TR.	CK.	AP.
SCALE NONE		DATE 6-19-00	
REF. DWG. NO.			
Dwg. No. CD017			