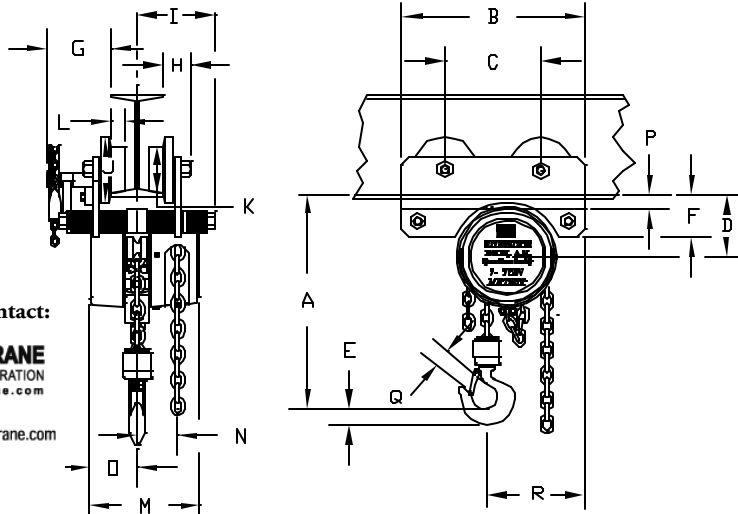


THIS UNIT IS ADJUSTABLE FROM 2 5/8" TO 4 5/8" BEAM FLANGE WIDTH

NO. REQ. 1

For more info contact:
ACECO
AMERICAN CRANE
 & EQUIPMENT CORPORATION
 www.americancrane.com
 Phone (877) 503-2972
 E-mail sales@americancrane.com
 Fax (484) 945-0430



A	B	C	D	E	F	G	H	I	J	K	L	M	N	O	P	Q	R
11 1/8"	11 1/4"	5 15/16"	3 15/16"	7/8"	2 13/16"	4 7/8"	2 1/16"	4 1/4"	4"	2 7/8"	7/8"	6 1/2"	2 1/2"	2 13/16"	1 1/16"	7/8"	4 3/4"

* FOR PLAIN UNITS "L" IS THE SAME FOR BOTH SIDES OF UNIT
 MAX. LIFT FOR THIS UNIT IS 30'

R4 CAP CHG A&E CHG	RLB 1/4/05	1/2 - 1 METRIC TON CHESTER "AM" ARMY TYPE HOIST CHESTER HOIST LISBON, OHIO	JR RLB	TR.	CK.	AP.	
R3 CAP TAG CHG	RLB 1P-4-00		SCALE NONE	DATE 6-19-00			
R2 CONT REMOVED	RLB 11/16/00		REF. DWG. NO. C-37963	Dwg. No. CD016			
R1 CONT ADDED TO END VIEW	RLB 10/23/00						
REVISIONS	OK-DATE						