

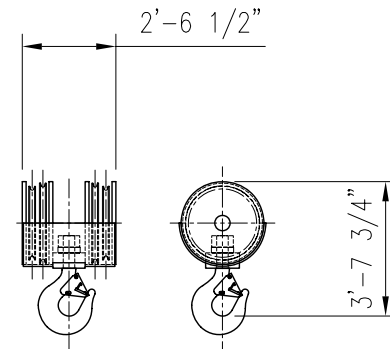
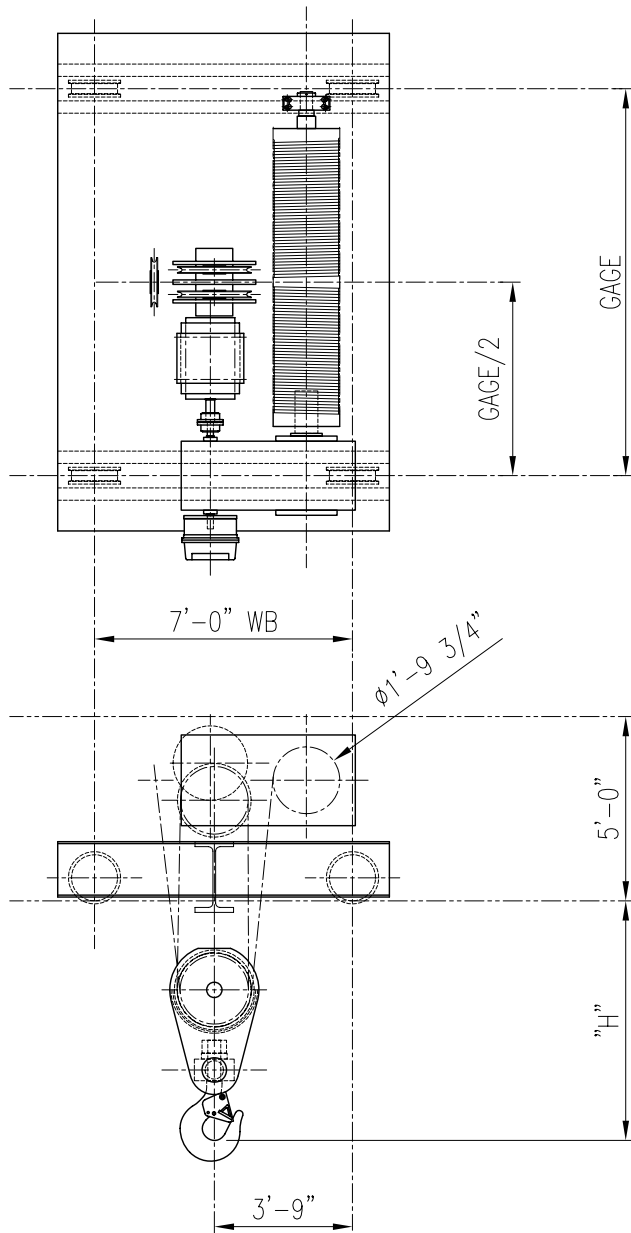
AMERICAN CRANE & EQUIPMENT CORPORATION

DOUGLASSVILLE, PA. 19518 U.S.A.
PHONE: 610-385-6061
FAX: 610-385

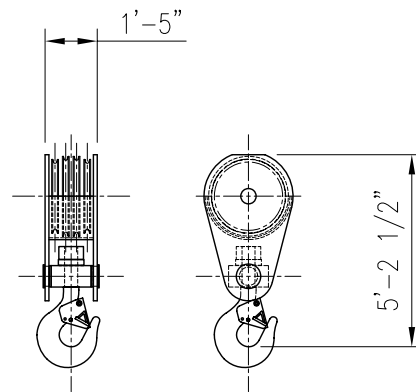
PRODUCT INFORMATION

DWG. NO:

07/20/09



LOW HEADROOM BLOCK



STANDARD HEADROOM BLOCK

ACECO RESERVES THE RIGHT TO MAKE CHANGES WITHOUT NOTICE.

CAPACITY	60 TONS (120,000 LBS.)	HOIST SPEED	MOTOR DATA
CLASS	CMAA CLASS "E"	17 F.P.M.	75 HP / 1200 RPM
		14 F.P.M.	60 HP / 1800 RPM
POWER SUPPLY	460V-3PH-60HZ	10 F.P.M.	50 HP / 1800 RPM

MODEL NUMBER	GAGE	HEIGHT OF LIFT ON HOIST		H	
		STANDARD HEADROOM LOWER BLOCK	LOW HEADROOM LOWER BLOCK	STANDARD HEADROOM LOWER BLOCK	LOW HEADROOM LOWER BLOCK
20418-8060-10.5	10'-6"	54'-0"	44'-0"	6'-6"	5'-0"
20418-8060-11	11'-0"	59'-0"	49'-0"		
20418-8060-12	12'-0"	69'-0"	59'-0"		