



**AMERICAN CRANE  
& EQUIPMENT CORPORATION**  
DOUGLASSVILLE, PA. 19518 U.S.A.  
PHONE: 610-385-6061  
FAX: 610-385-3191

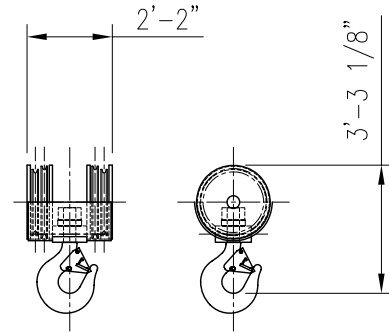
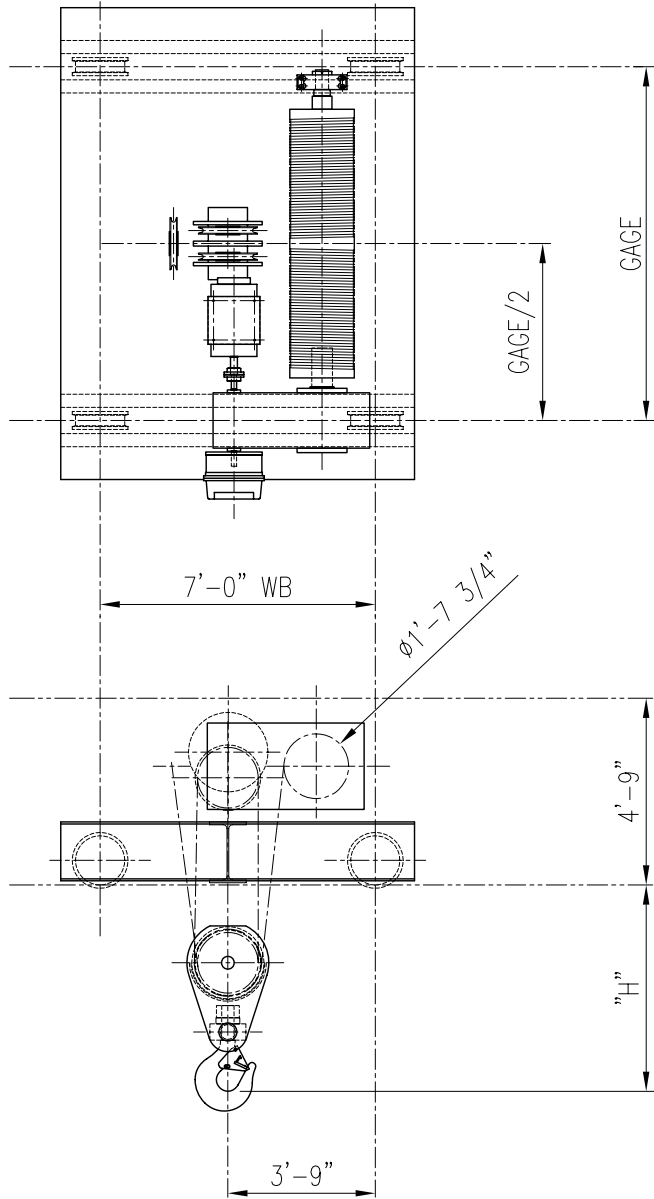
**TOP RUNNING TROLLEY  
W/ OPEN DECK HOIST**

**PRODUCT INFORMATION**

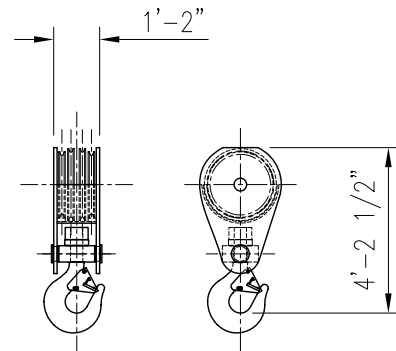
DWG. NO:  
**A-20418-8040**

**40 TON CAPACITY**

DATE: 07/20/09      REVISION: 1



LOW HEADROOM BLOCK



STANDARD HEADROOM BLOCK

ACECO RESERVES THE RIGHT TO MAKE CHANGES WITHOUT NOTICE.

**HOIST TECHNICAL DATA**

CAPACITY	40 TONS ( 80,000 LBS. )	CLASS	CMAA CLASS "E"	HOIST SPEED	MOTOR DATA
				17 F.P.M.	50 HP / 1800 RPM
				13 F.P.M.	40 HP / 1800 RPM
POWER SUPPLY	460V-3PH-60HZ			10 F.P.M.	30 HP / 1800 RPM

**DIMENSIONAL INFORMATION**

MODEL NUMBER	GAGE	HEIGHT OF LIFT ON HOIST		H	
		STANDARD HEADROOM LOWER BLOCK	LOW HEADROOM LOWER BLOCK	STANDARD HEADROOM LOWER BLOCK	LOW HEADROOM LOWER BLOCK
20418-8040-9	9'-0"	40'-0"	31'-0"	5'-3"	4'-3"
20418-8040-10	10'-0"	49'-0"	40'-0"		
20418-8040-11	11'-0"	58'-0"	49'-0"		