



**AMERICAN CRANE
& EQUIPMENT CORPORATION**
DOUGLASSVILLE, PA. 19518 U.S.A.
PHONE: 610-385-6061
FAX: 610-385-3191

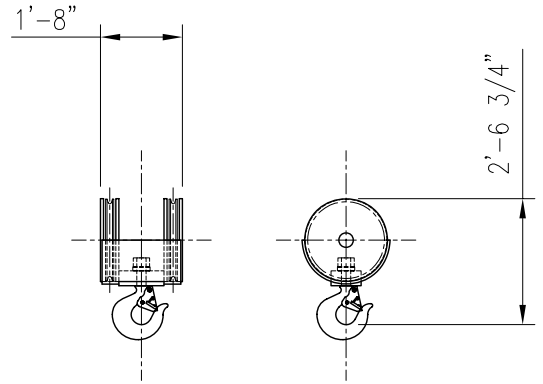
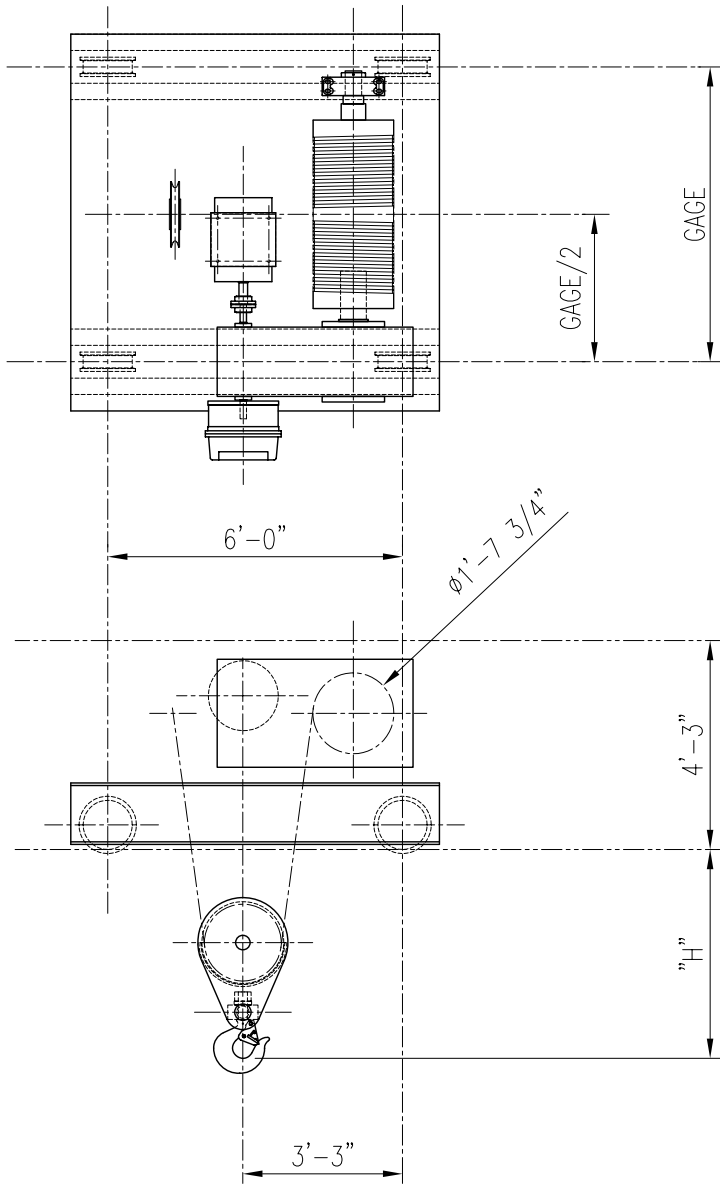
**TOP RUNNING TROLLEY
W/ OPEN DECK HOIST**

PRODUCT INFORMATION

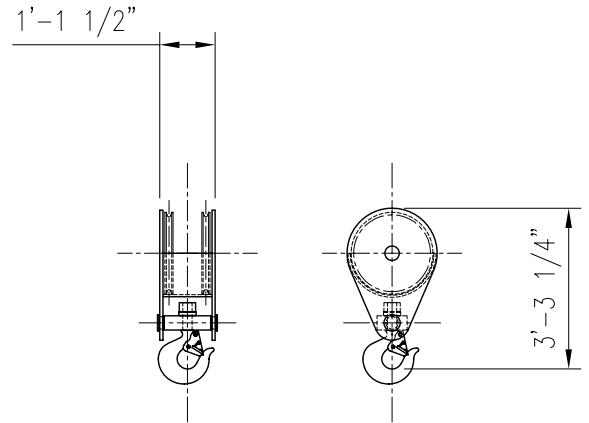
DWG. NO:
A-20418-8020

20 TON CAPACITY

DATE: 07/20/09 REVISION: 1



LOW HEADROOM BLOCK



STANDARD HEADROOM BLOCK

ACECO RESERVES THE RIGHT TO MAKE CHANGES WITHOUT NOTICE.

HOIST TECHNICAL DATA

CAPACITY	20 TONS (40,000 LBS.)	HOIST SPEED	MOTOR DATA
CLASS	CMAA CLASS "E"	26 F.P.M.	40 HP / 1800 RPM
POWER SUPPLY	460V-3PH-60HZ	20 F.P.M.	30 HP / 1800 RPM
		14 F.P.M.	20 HP / 1800 RPM

DIMENSIONAL INFORMATION

MODEL NUMBER	GAGE	HEIGHT OF LIFT ON HOIST		H	
		STANDARD HEADROOM LOWER BLOCK	LOW HEADROOM LOWER BLOCK	STANDARD HEADROOM LOWER BLOCK	LOW HEADROOM LOWER BLOCK
20418-8020-5	5'-0"	28'-6"	18'-6"	4'-3"	3'-8"
20418-8020-6	6'-0"	46'-6"	36'-6"		
20418-8020-7	7'-0"	64'-6"	54'-6"		