



**AMERICAN CRANE
& EQUIPMENT CORPORATION**
DOUGLASSVILLE, PA. 19518 U.S.A.
PHONE: 610-385-6061
FAX: 610-385-3191

**TOP RUNNING TROLLEY
W/ OPEN DECK HOIST**

100 TON CAPACITY

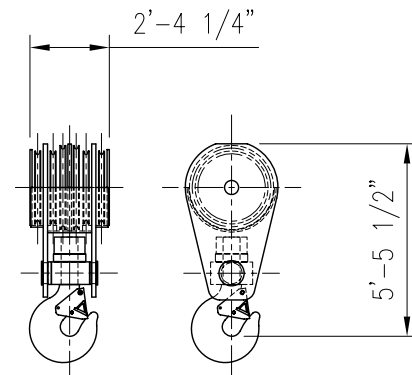
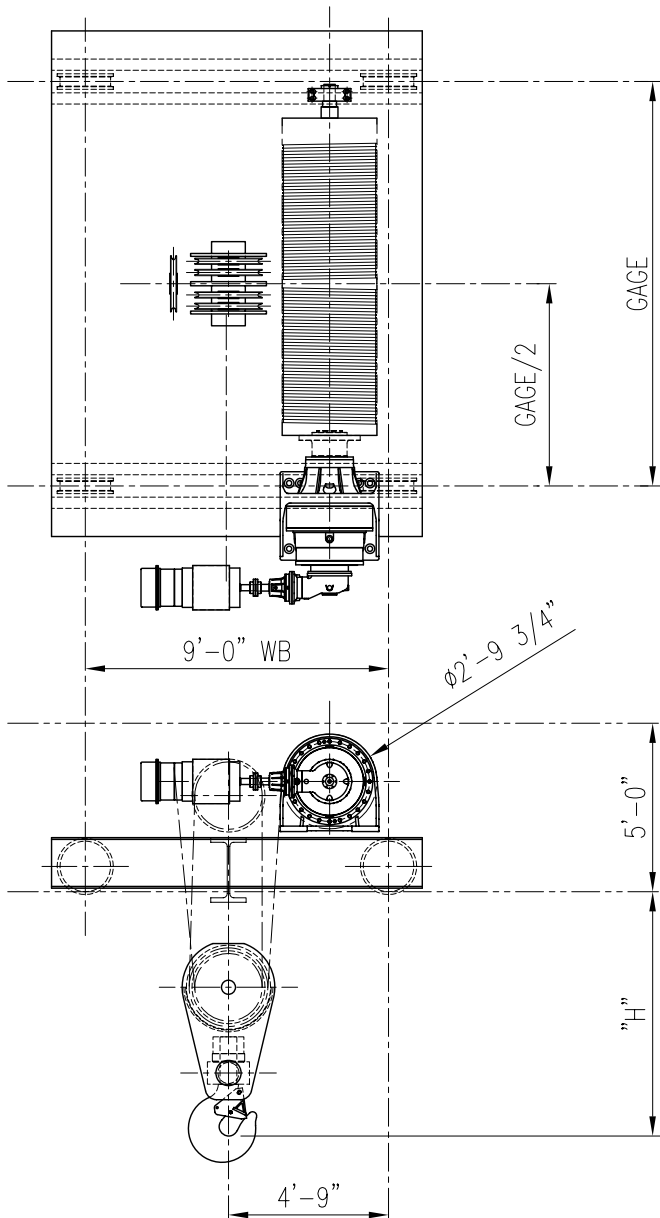
PRODUCT INFORMATION

DWG. NO:

A-20418-7100

DATE: 07/20/09

REVISION: 0



STANDARD HEADROOM BLOCK

ACECO RESERVES THE RIGHT TO MAKE CHANGES WITHOUT NOTICE.

HOIST TECHNICAL DATA

CAPACITY	100 TONS (200,000 LBS.)	HOIST SPEED	MOTOR DATA
		12 F.P.M.	100 HP / 1800 RPM
		9.5 F.P.M.	75 HP / 1800 RPM
CLASS	CMAA CLASS "D"	7 F.P.M.	50 HP / 1800 RPM
POWER SUPPLY	460V-3PH-60HZ		

DIMENSIONAL INFORMATION

MODEL NUMBER	GAGE	HEIGHT OF LIFT ON HOIST		H	
		STANDARD HEADROOM LOWER BLOCK	LOW HEADROOM LOWER BLOCK	STANDARD HEADROOM LOWER BLOCK	LOW HEADROOM LOWER BLOCK
20418-8100-12	12'-0"	56'-0"	NA	7'-0"	NA
20418-8100-13	13'-0"	64'-9"	NA		
20418-8100-14	14'-0"	73'-6"	NA		