



**AMERICAN CRANE  
& EQUIPMENT CORPORATION**  
DOUGLASSVILLE, PA. 19518 U.S.A.  
PHONE: 610-385-6061  
FAX: 610-385-3191

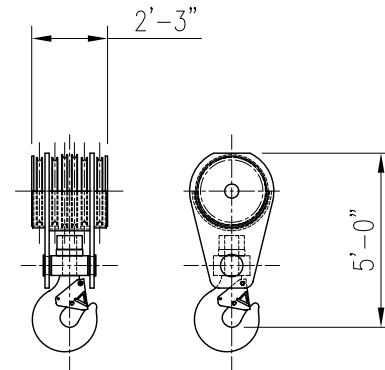
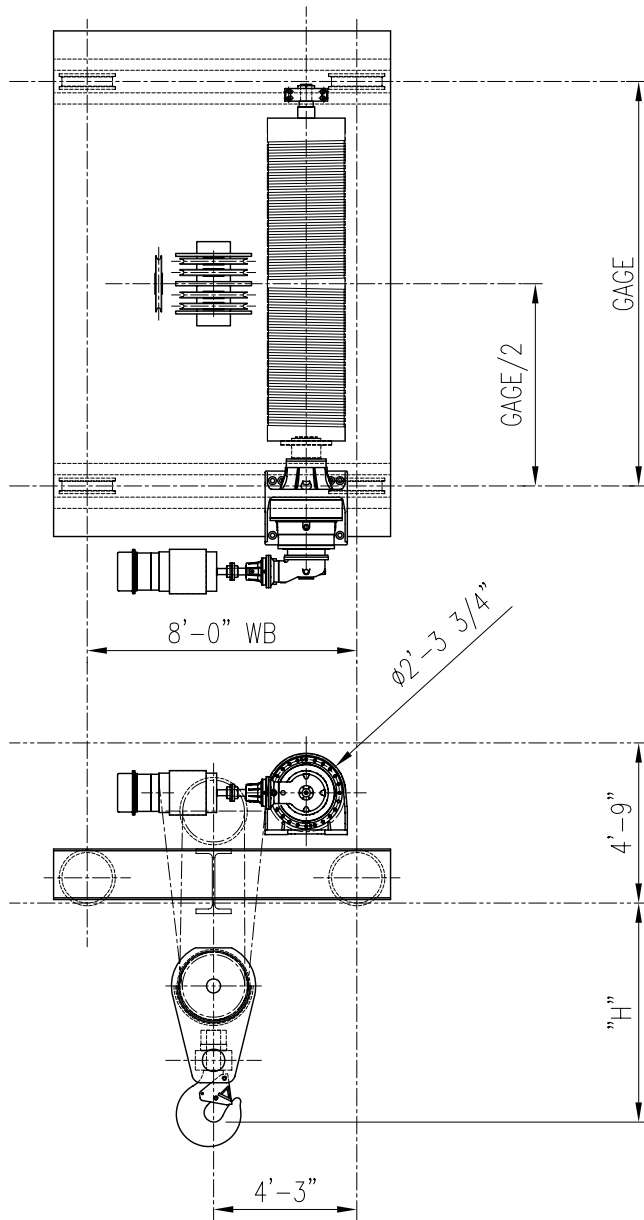
**TOP RUNNING TROLLEY  
W/ OPEN DECK HOIST**

**PRODUCT INFORMATION**

DWG. NO:  
**A-20418-7075**

**75 TON CAPACITY**

DATE: 07/20/09      REVISION: 0



STANDARD HEADROOM BLOCK

ACECO RESERVES THE RIGHT TO MAKE CHANGES WITHOUT NOTICE.

**HOIST TECHNICAL DATA**

CAPACITY	75 TONS ( 150,000 LBS. )	HOIST SPEED	MOTOR DATA
		18 F.P.M.	100 HP / 1800 RPM
		13 F.P.M.	75 HP / 1800 RPM
CLASS	CMAA CLASS "D"	8 F.P.M.	50 HP / 1800 RPM
POWER SUPPLY	460V-3PH-60HZ		

**DIMENSIONAL INFORMATION**

MODEL NUMBER	GAGE	HEIGHT OF LIFT ON HOIST		H	
		STANDARD HEADROOM LOWER BLOCK	LOW HEADROOM LOWER BLOCK	STANDARD HEADROOM LOWER BLOCK	LOW HEADROOM LOWER BLOCK
20418-8075-12	12'-0"	55'-6"	NA	6'-3"	NA
20418-8075-13	13'-0"	63'-9"	NA		
20418-8075-14	14'-0"	72'-0"	NA		