



AMERICAN CRANE
& EQUIPMENT CORPORATION
DOUGLASSVILLE, PA. 19518 U.S.A.
PHONE: 610-385-6061
FAX: 610-385-3191

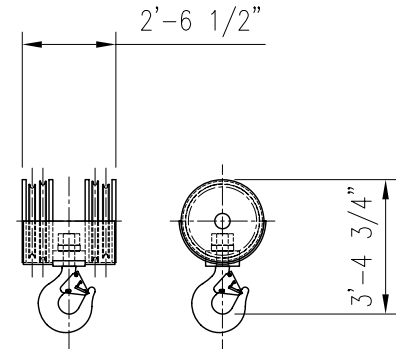
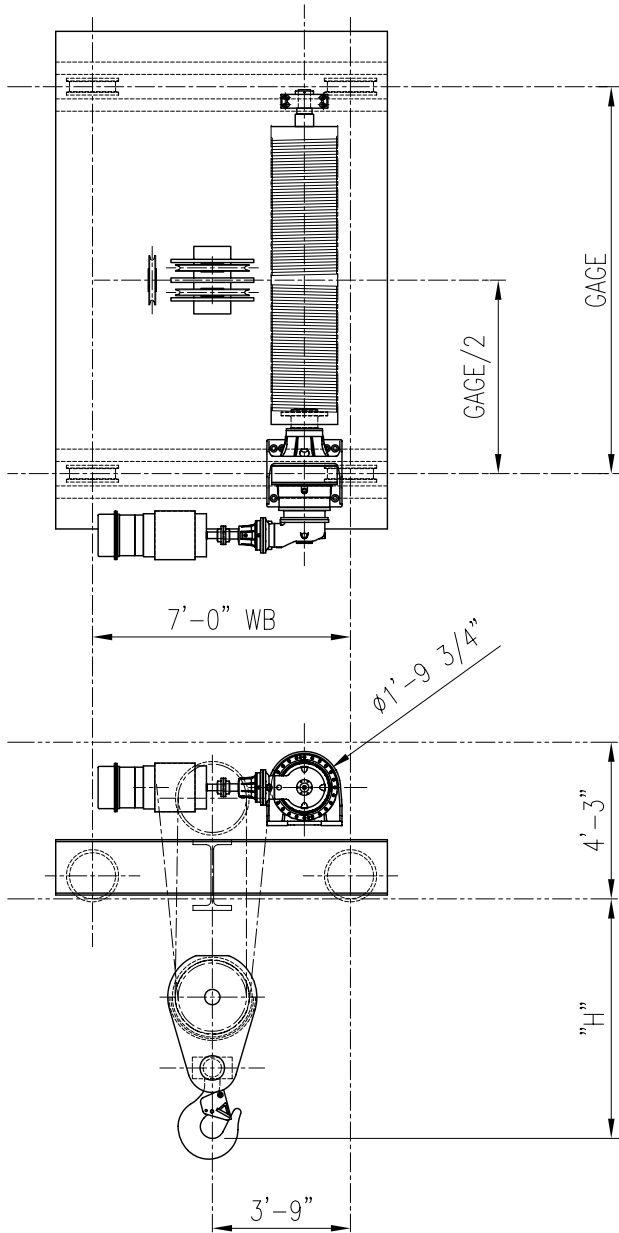
TOP RUNNING TROLLEY W/ OPEN DECK HOIST

50 TON CAPACITY

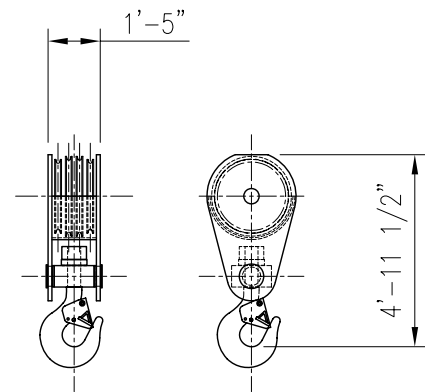
PRODUCT INFORMATION

DWG. NO:
A-20418-7050

DATE: 07/20/09 REVISION: 0



LOW HEADROOM BLOCK



STANDARD HEADROOM BLOCK

ACECO RESERVES THE RIGHT TO MAKE CHANGES WITHOUT NOTICE.

HOIST TECHNICAL DATA

CAPACITY	50 TONS (100,000 LBS.)	HOIST SPEED	MOTOR DATA
		19 F.P.M.	75 HP / 1800 RPM
CLASS	CMAA CLASS "D"	16 F.P.M.	60 HP / 1800 RPM
		12 F.P.M.	50 HP / 1800 RPM
POWER SUPPLY	460V-3PH-60HZ		

DIMENSIONAL INFORMATION

MODEL NUMBER	GAGE	HEIGHT OF LIFT ON HOIST		H	
		STANDARD HEADROOM LOWER BLOCK	LOW HEADROOM LOWER BLOCK	STANDARD HEADROOM LOWER BLOCK	LOW HEADROOM LOWER BLOCK
20418-8050-10.5	10'-6"	54'-0"	44'-0"	6'-3"	4'-9"
20418-8050-11	11'-0"	59'-0"	49'-0"		
20418-8050-12	12'-0"	69'-0"	59'-0"		