



**AMERICAN CRANE  
& EQUIPMENT CORPORATION**  
DOUGLASSVILLE, PA. 19518 U.S.A.  
PHONE: 610-385-6061  
FAX: 610-385-3191

**TOP RUNNING TROLLEY  
W/ OPEN DECK HOIST**

**40 TON CAPACITY**

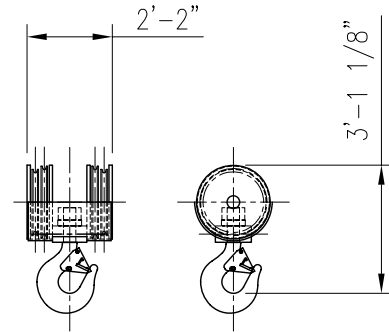
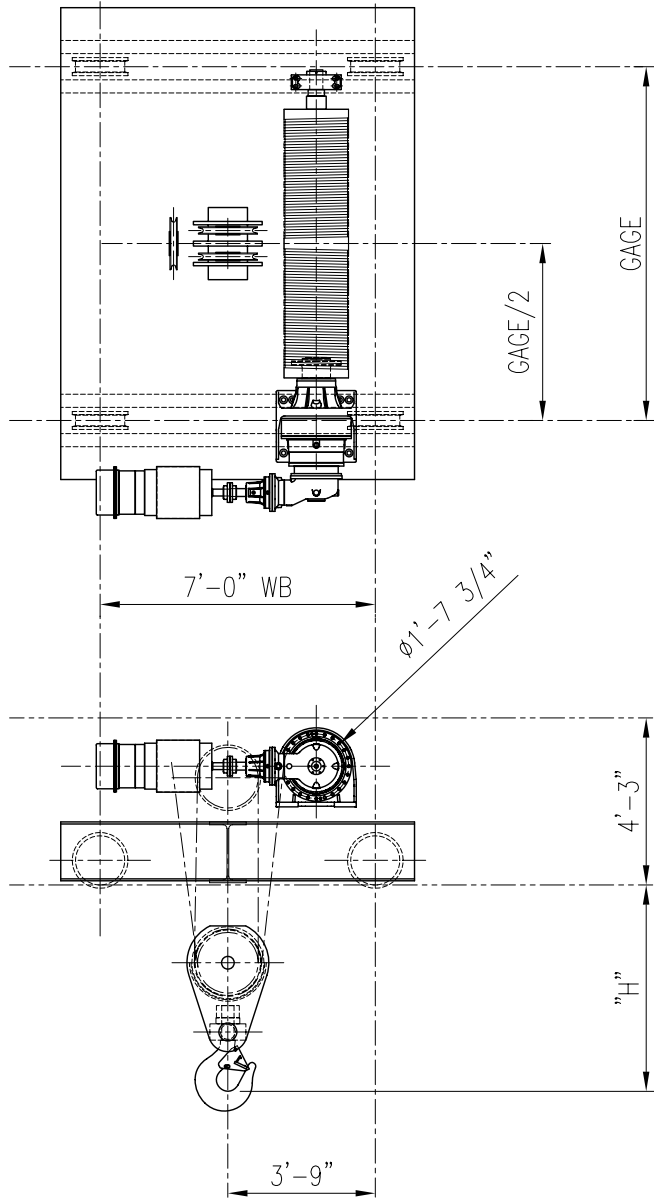
**PRODUCT INFORMATION**

DWG. NO:

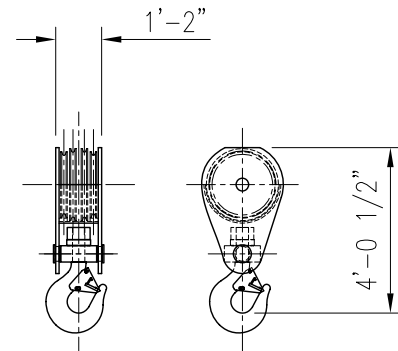
**A-20418-7040**

DATE: 07/20/09

REVISION: 0



LOW HEADROOM BLOCK



STANDARD HEADROOM BLOCK

ACECO RESERVES THE RIGHT TO MAKE CHANGES WITHOUT NOTICE.

**HOIST TECHNICAL DATA**

CAPACITY	40 TONS ( 80,000 LBS. )	HOIST SPEED	MOTOR DATA
		16 F.P.M.	50 HP / 1800 RPM
CLASS	CMAA CLASS "D"	14 F.P.M.	40 HP / 1800 RPM
		9 F.P.M.	30 HP / 1800 RPM
POWER SUPPLY	460V-3PH-60HZ		

**DIMENSIONAL INFORMATION**

MODEL NUMBER	GAGE	HEIGHT OF LIFT ON HOIST		H	
		STANDARD HEADROOM LOWER BLOCK	LOW HEADROOM LOWER BLOCK	STANDARD HEADROOM LOWER BLOCK	LOW HEADROOM LOWER BLOCK
20418-8040-9	9'-0"	40'-0"	31'-0"	5'-0"	4'-0"
20418-8040-10	10'-0"	49'-0"	40'-0"		
20418-8040-11	11'-0"	58'-0"	49'-0"		