



**AMERICAN CRANE  
& EQUIPMENT CORPORATION**  
DOUGLASSVILLE, PA. 19518 U.S.A.  
PHONE: 610-385-6061  
FAX: 610-385-3191

**LOW PROFILE  
TOP RUNNING TROLLEY  
W/ OPEN DECK HOIST**

**30 TON CAPACITY**

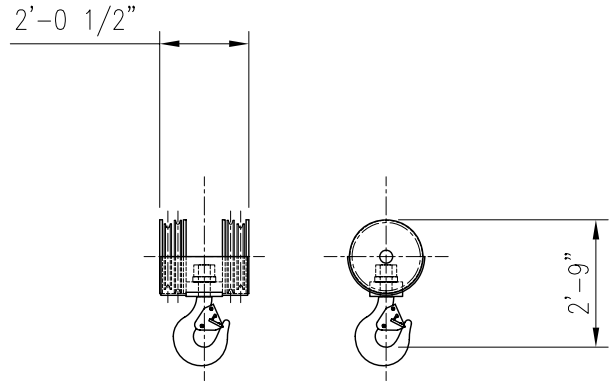
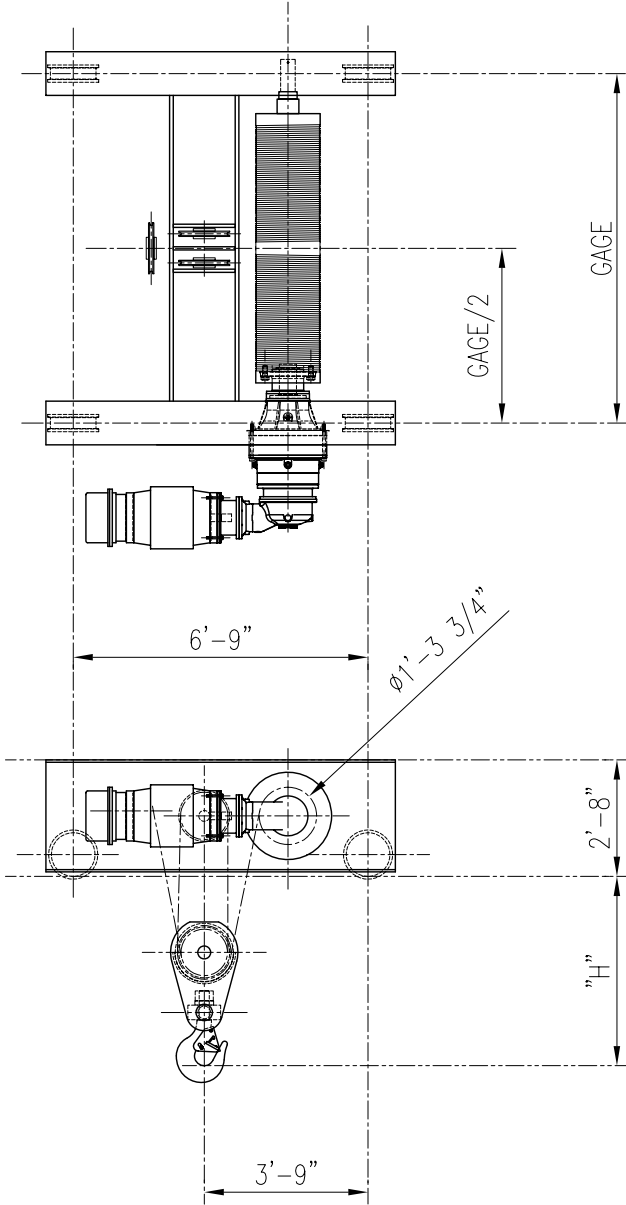
**PRODUCT INFORMATION**

DWG. NO:

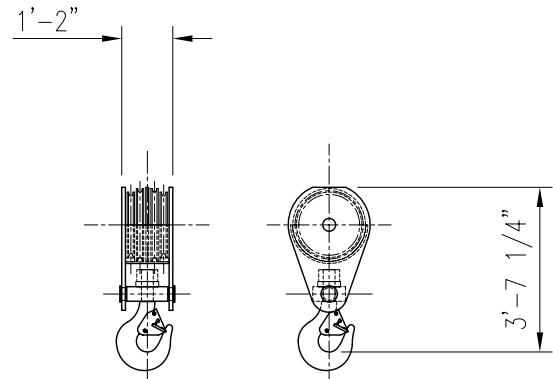
**A-20418-6531**

DATE: 07/20/09

REVISION: 0



LOW HEADROOM BLOCK



STANDARD HEADROOM BLOCK

ACECO RESERVES THE RIGHT TO MAKE CHANGES WITHOUT NOTICE.

**HOIST TECHNICAL DATA**

CAPACITY	30 TONS ( 60,000 LBS. )	HOIST SPEED	MOTOR DATA
		23 F.P.M.	50 HP / 1800 RPM
		18 F.P.M.	40 HP / 1800 RPM
CLASS	CMAA CLASS "D"	13 F.P.M.	30 HP / 1800 RPM
POWER SUPPLY	460V-3PH-60HZ		

**DIMENSIONAL INFORMATION**

MODEL NUMBER	GAGE	HEIGHT OF LIFT ON HOIST		H	
		STANDARD HEADROOM LOWER BLOCK	LOW HEADROOM LOWER BLOCK	STANDARD HEADROOM LOWER BLOCK	LOW HEADROOM LOWER BLOCK
20418-8031-9	9'-0"	48'-3"	40'-3"	4'-7"	3'-9"
20418-8031-10	10'-0"	57'-6"	49'-6"		
20418-8031-11	11'-0"	66'-9"	58'-9"		