



**AMERICAN CRANE  
& EQUIPMENT CORPORATION**  
DOUGLASSVILLE, PA. 19518 U.S.A.  
PHONE: 610-385-6061  
FAX: 610-385-3191

**TOP RUNNING TROLLEY  
W/ OPEN DECK HOIST**

**PRODUCT INFORMATION**

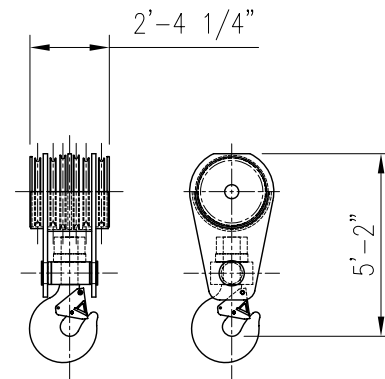
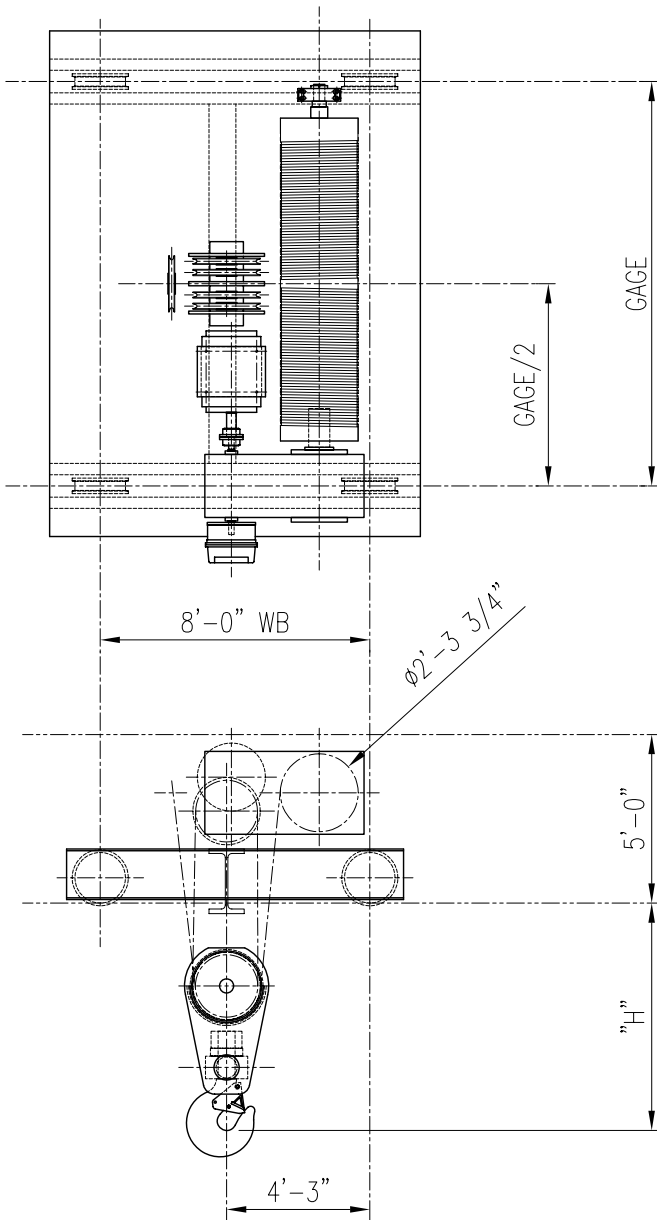
DWG. NO:

**A-20418-6090**

**90 TON CAPACITY**

DATE: 07/20/09

REVISION: 0



STANDARD HEADROOM BLOCK

ACECO RESERVES THE RIGHT TO MAKE CHANGES WITHOUT NOTICE.

**HOIST TECHNICAL DATA**

CAPACITY	90 TONS ( 180,000 LBS. )	HOIST SPEED	MOTOR DATA
		15 F.P.M.	100 HP / 1800 RPM
		11 F.P.M.	75 HP / 1800 RPM
CLASS	CMAA CLASS "D"	7 F.P.M.	50 HP / 1800 RPM
POWER SUPPLY	460V-3PH-60HZ		

**DIMENSIONAL INFORMATION**

MODEL NUMBER	GAGE	HEIGHT OF LIFT ON HOIST		H	
		STANDARD HEADROOM LOWER BLOCK	LOW HEADROOM LOWER BLOCK	STANDARD HEADROOM LOWER BLOCK	LOW HEADROOM LOWER BLOCK
20418-8090-12	12'-0"	55'-6"	NA	6'-6"	NA
20418-8090-13	13'-0"	63'-9"	NA		
20418-8090-14	14'-0"	72'-0"	NA		