



**AMERICAN CRANE  
& EQUIPMENT CORPORATION**  
DOUGLASSVILLE, PA. 19518 U.S.A.  
PHONE: 610-385-6061  
FAX: 610-385-3191

**TOP RUNNING TROLLEY  
W/ OPEN DECK HOIST**

**10 TON CAPACITY**

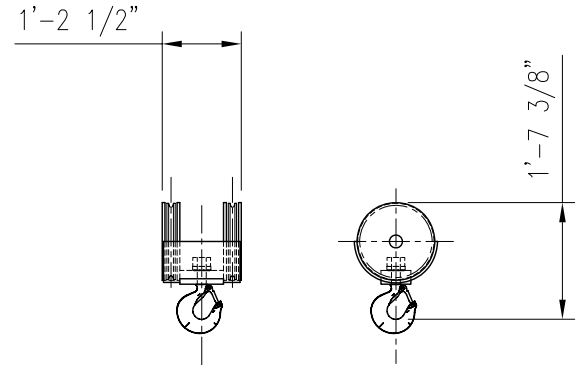
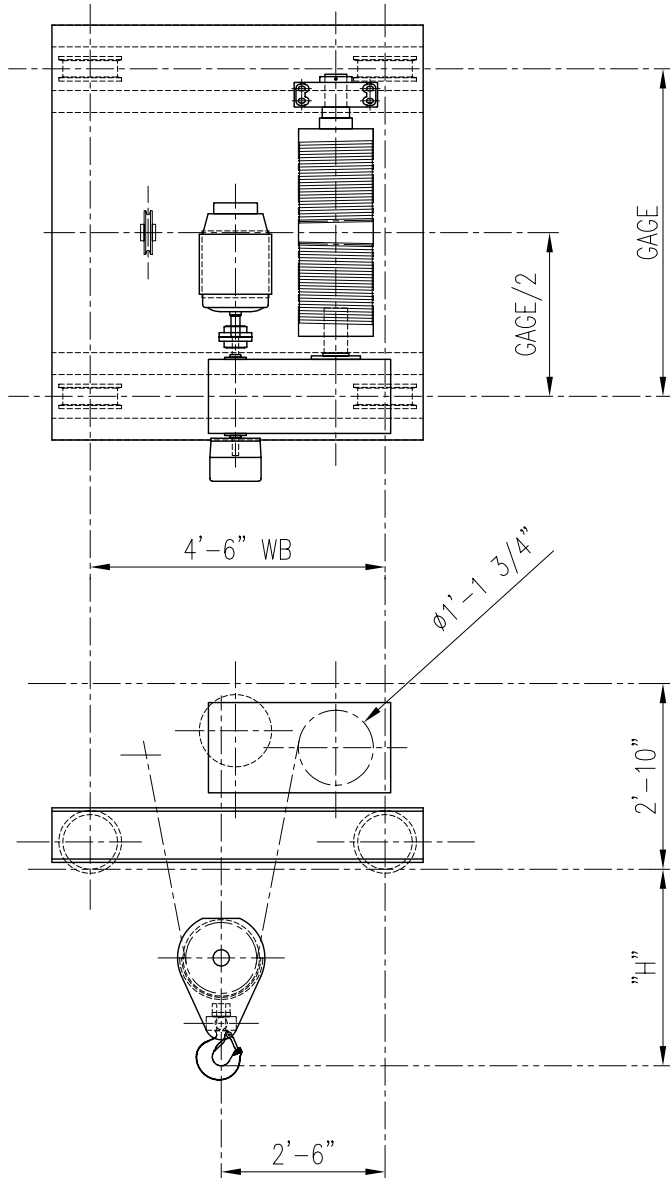
**PRODUCT INFORMATION**

DWG. NO:

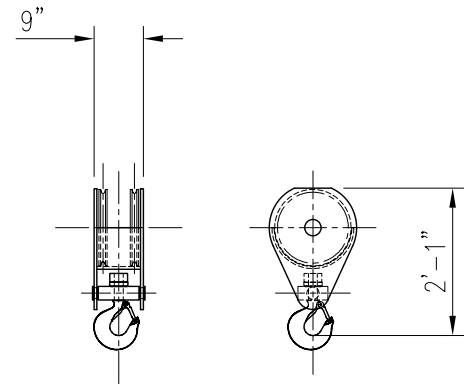
**A-20418-6010**

DATE: 07/20/09

REVISION: 0



LOW HEADROOM BLOCK



STANDARD HEADROOM BLOCK

ACECO RESERVES THE RIGHT TO MAKE CHANGES WITHOUT NOTICE.

**HOIST TECHNICAL DATA**

CAPACITY	10 TONS ( 20,000 LBS. )	HOIST SPEED	MOTOR DATA
		27 F.P.M.	20 HP / 1800 RPM
		21 F.P.M.	15 HP / 1800 RPM
CLASS	CMAA CLASS "D"	16 F.P.M.	12.5 HP / 1800 RPM
POWER SUPPLY	460V-3PH-60HZ		

**DIMENSIONAL INFORMATION**

MODEL NUMBER	GAGE	HEIGHT OF LIFT ON HOIST		H	
		STANDARD HEADROOM LOWER BLOCK	LOW HEADROOM LOWER BLOCK	STANDARD HEADROOM LOWER BLOCK	LOW HEADROOM LOWER BLOCK
20418-8010-5	5'-0"	43'-0"	36'-0"	2'-10"	2'-4"
20418-8010-6	6'-0"	64'-6"	63'-6"		
20418-8010-7	7'-0"	82'-6"	81'-6"		