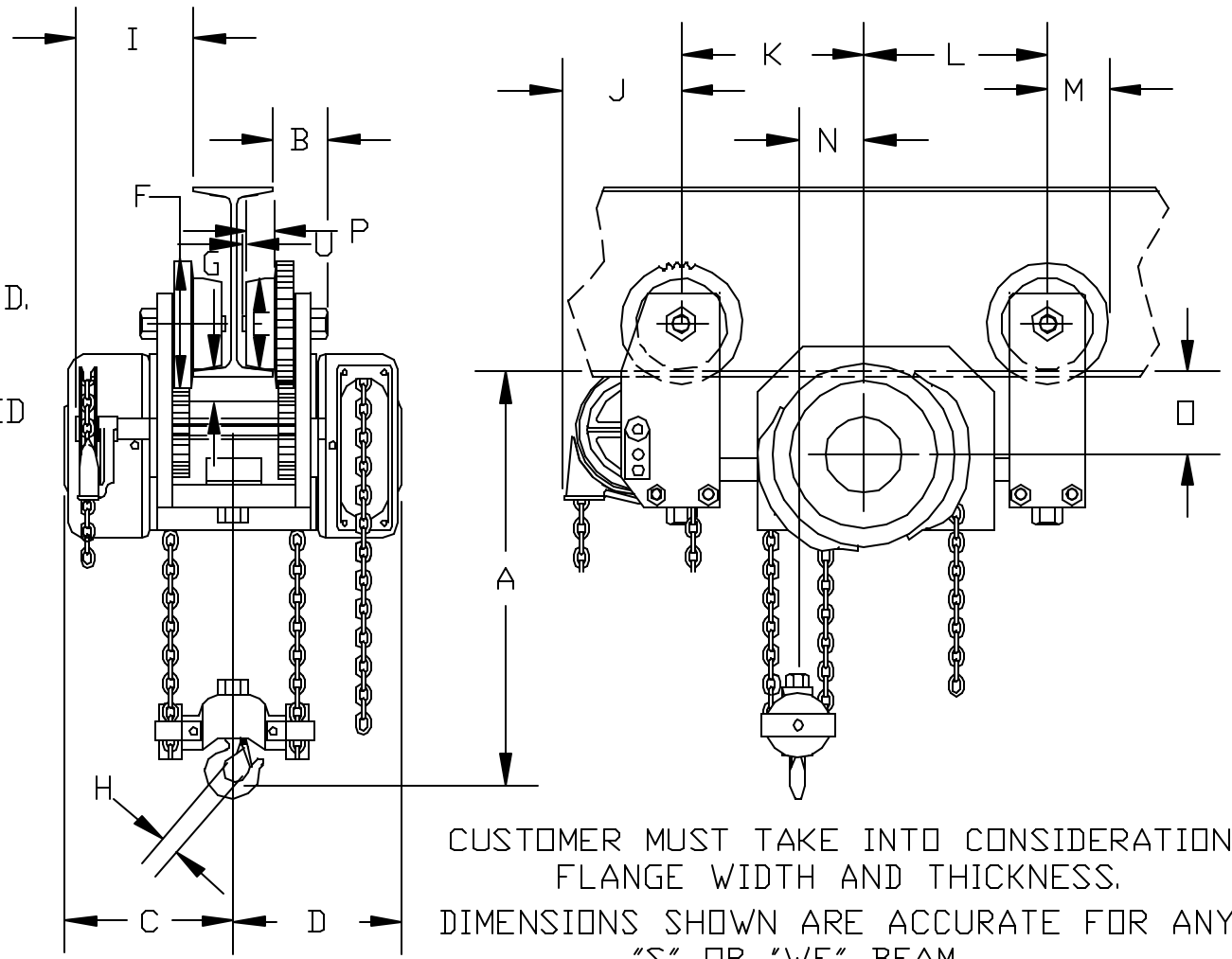


FOR MORE INFO CONTACT: American Crane & Equipment Corp. - Authorized Distributor
 Tel: 877-503-2972 Fax: 484-945-0430 Email: sales@americancrane.com Website: www.americancrane.com

NO. REQ. 1

- A 9 1/4"
- B 2 9/16"
- C 9 7/8"
- D 9 7/8"
- E 6 3/8" WH'L. TREAD O.D.
- F 8" WH'L. FLG. O.D.
- G 15/16" PLAIN OR GEARED
- H 1 11/16"
- * I 9 15/16"
- * J 6 1/8"
- K 11 9/16"
- L 7 11/16"
- M 4"
- N 3" U 3/16"
- O 3 7/16" P 1 11/32"
- * GEARED UNITS ONLY
UNIT NOT ADJUSTABLE



CUSTOMER MUST TAKE INTO CONSIDERATION
 FLANGE WIDTH AND THICKNESS.
 DIMENSIONS SHOWN ARE ACCURATE FOR ANY
 "S" OR "WF" BEAM

FLAT TREAD WHEELS (NOT SHOWN) SUPPLIED FOR "WF" BEAM APPLICATIONS

MK.	REVISIONS	CK-DATE

4 TON SWIVEL TRUCK
 LOW HEADROOM
CHESTER HOIST
 LISBON, OHIO

DR. RLB	TR.	CK.	AP.
SCALE NONE		DATE 11/18/02	
REF. DWG. NO.		CL4ST	
Dwg. No. CD095			