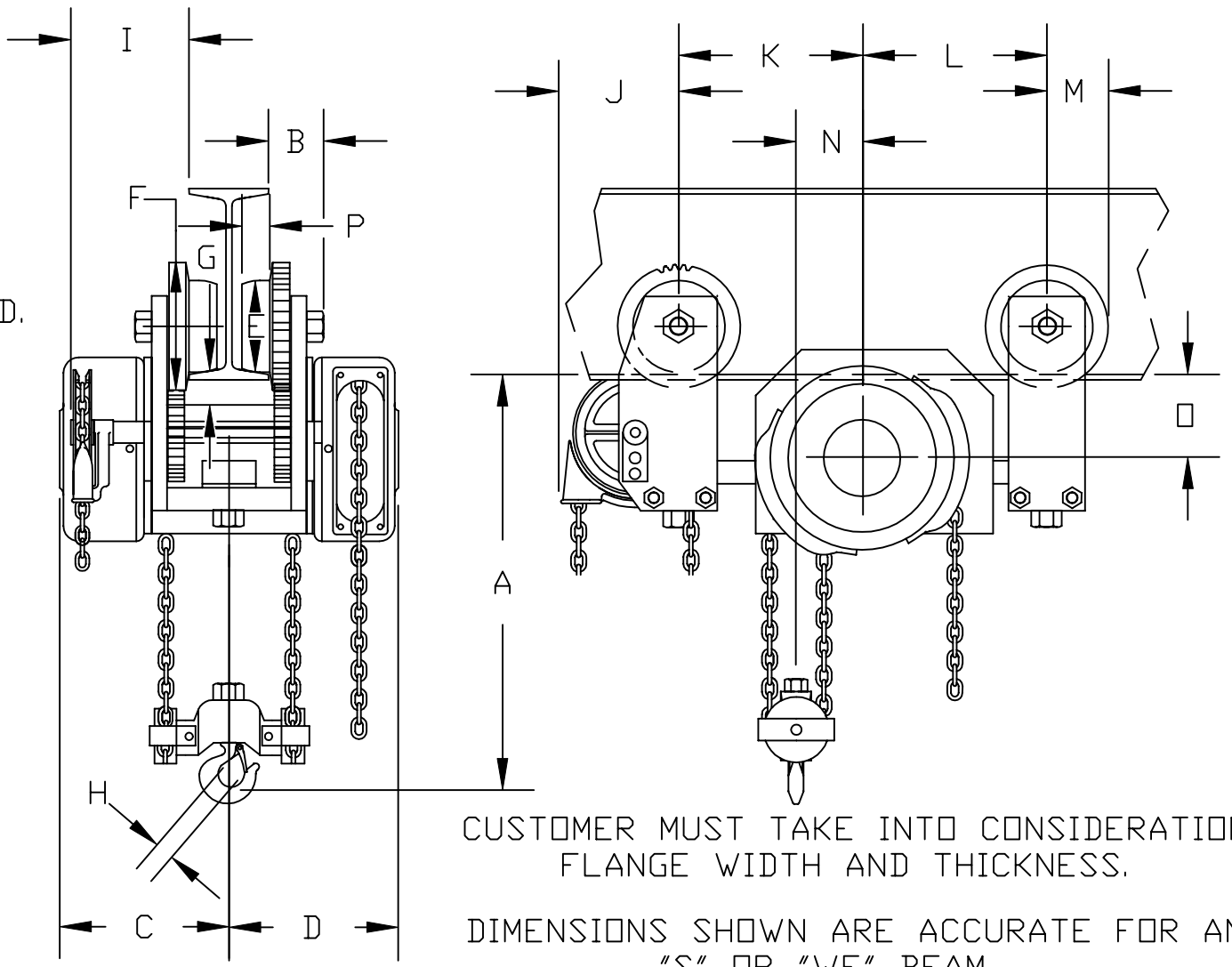


- A 6 3/4"
- B 2 3/16"
- C 9 1/8"
- D 9 1/8"
- E 4 1/2" WH'L. TREAD O.D.
- F 6" WH'L. FLG. O.D.
- G 3/4" PLAIN OR GEARED
- H 1 1/8"
- \* I 7 3/16"
- \* J 6 1/4"
- K 11 3/8"
- L 7 5/8"
- M 3"
- N 3"
- 1 7/8" P 1 7/64"
- \*GEARED UNITS ONLY  
UNIT NOT ADJUSTABLE



CUSTOMER MUST TAKE INTO CONSIDERATION  
 FLANGE WIDTH AND THICKNESS.  
 DIMENSIONS SHOWN ARE ACCURATE FOR ANY  
 "S" OR "WF" BEAM

FLAT TREAD WHEELS (NOT SHOWN) SUPPLIED FOR "WF" BEAM APPLICATIONS

MK.	REVISIONS	CK-DATE

1 1/2 & 2 TON SWIVEL TRUCK  
 LOW HEADROOM  
**CHESTER HOIST**  
 LISBON, OHIO

DR. RLB	TR.	CK.	AP.
SCALE NONE		DATE 6-19-00	
REF. DWG. NO.		CL11-2ST	
Dwg. No. CD049			