

A $9 \frac{15}{16}$ "

B $2 \frac{13}{16}$ "

C $10 \frac{1}{8}$ "

D $10 \frac{1}{8}$ "

E $7 \frac{3}{16}$ " WH'L. TREAD O.D.

F 9 " WH'L. FLG. O.D.

G $\frac{7}{8}$ " PLAIN OR GEARED

H $1 \frac{11}{16}$ "

* I $8 \frac{1}{2}$ "

* J $6 \frac{15}{16}$ "

K $11 \frac{9}{16}$ "

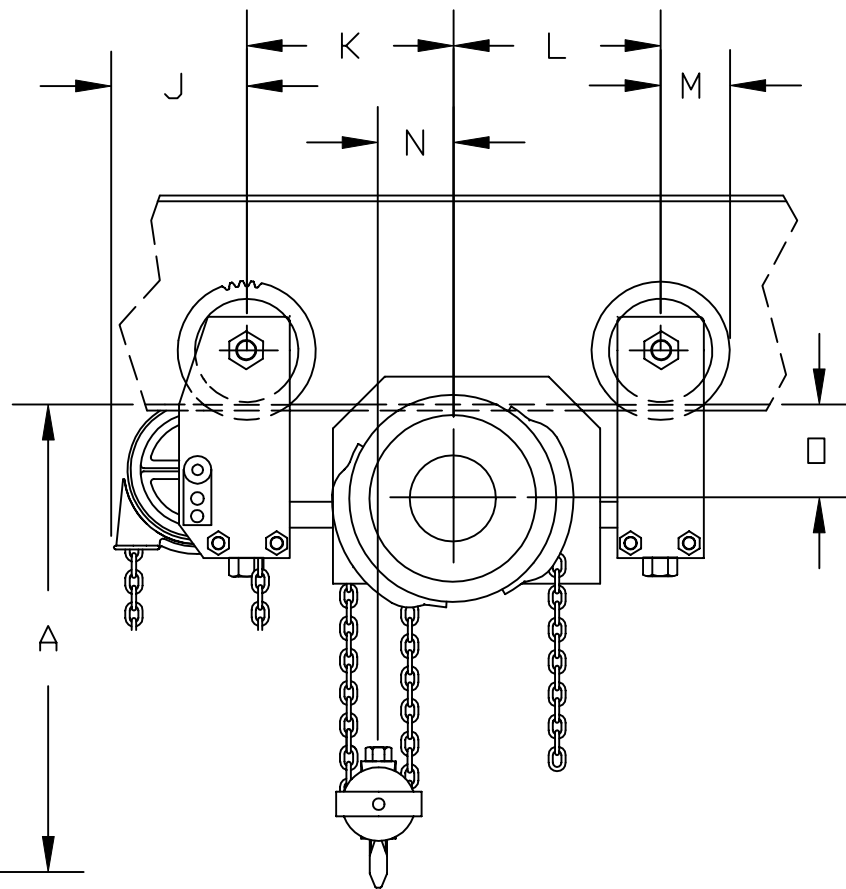
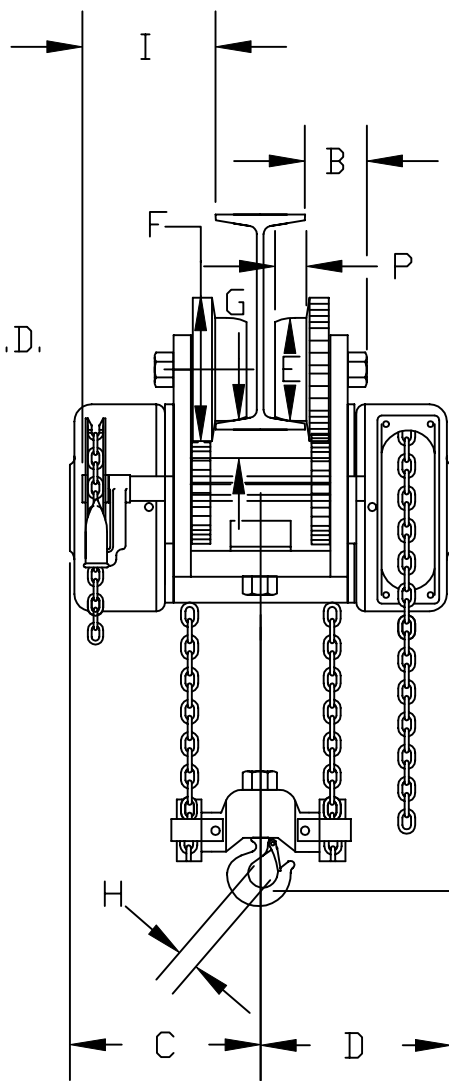
L $8 \frac{13}{16}$ "

M $4 \frac{1}{2}$ "

N 3 "

□ $3 \frac{7}{8}$ " P $1 \frac{13}{32}$ "

* GEARED UNITS ONLY
 UNIT NOT ADJUSTABLE



CUSTOMER MUST TAKE INTO CONSIDERATION
 FLANGE WIDTH AND THICKNESS.
 DIMENSIONS SHOWN ARE ACCURATE FOR ANY
 "S" OR "WF" BEAM

FLAT TREAD WHEELS (NOT SHOWN) SUPPLIED FOR "WF" BEAM APPLICATIONS

MK.	REVISIONS	CK-DATE

5 TON SWIVEL TRUCK
 LOW HEADROOM
CHESTER HOIST
 LISBON, OHIO

DR. RLB	TR.	CK.	AP.
SCALE NONE		DATE 6-19-00	
REF. DWG. NO.		CL5ST	
Dwg. No. CD052			