



**AMERICAN CRANE
& EQUIPMENT CORPORATION**
DOUGLASSVILLE, PA. 19518 U.S.A.
PHONE: 610-385-5061
FAX: 610-385-3191

**LOW HEADROOM
MONORAIL TROLLEY**

20 TON CAPACITY

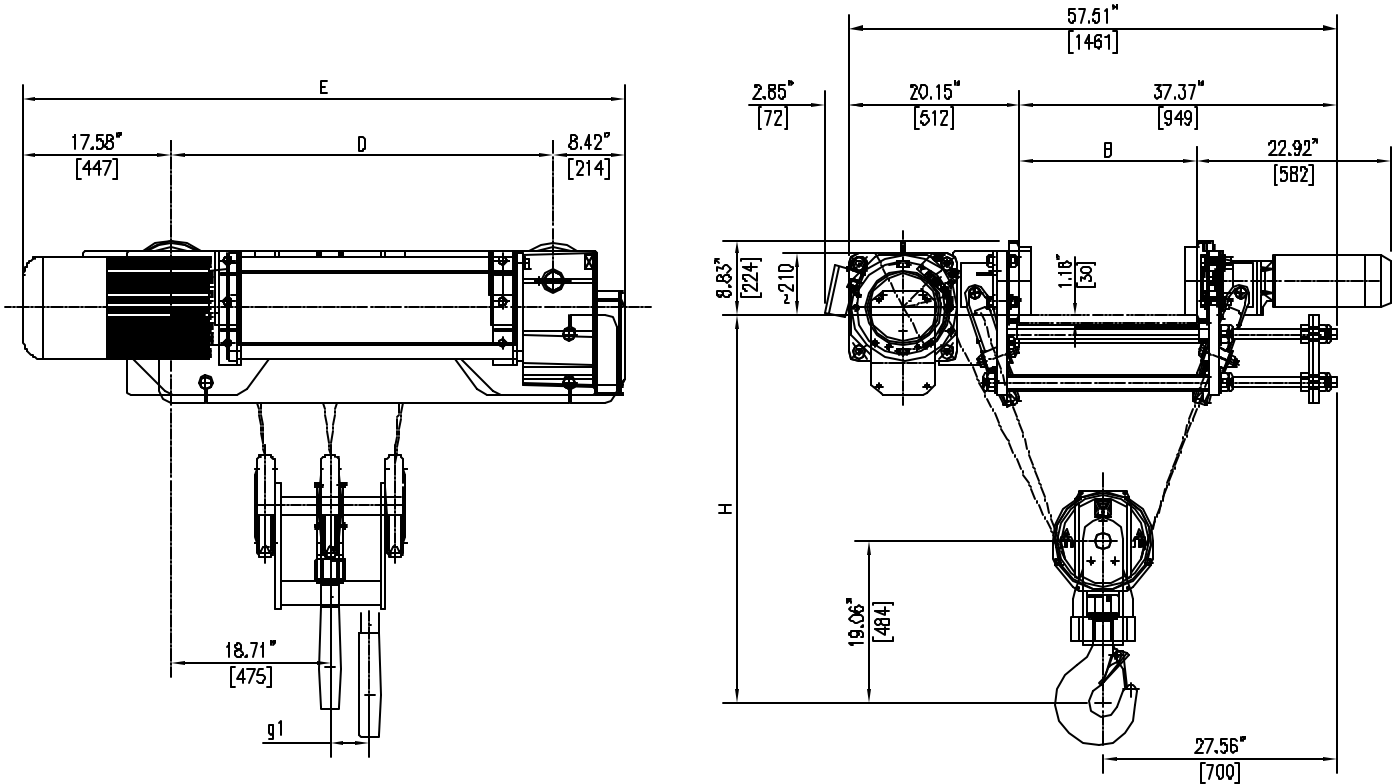
PRODUCT INFORMATION

DWG. NO:

3131B-1623

DATE: 01.11.00

REVISION: 0



ACECO RESERVES THE RIGHT TO MAKE CHANGES WITHOUT NOTICE.

HOIST TECHNICAL DATA

CAPACITY:	20 TONS (40000 LBS)	HOIST CLASS:	HMI H4	HOIST MOTOR:	21.5/6.7 HP, 1800/600 RPM, TEFC, S3 - 30%, CLASS "F" INSULATION
HOIST SPEED:	11 / 4 F.P.M (OPT. SPEEDS AVAILABLE)	POWER SUPPLY:	460V-3PH-60HZ		
TROLLEY SPEED:	75 / 17 F.P.M. (OPT. SPEEDS AVAILABLE)	HOIST MOTOR:	6275-62A	TROLLEY MOTOR:	2.4/.6 HP, 3600/900 RPM, TEFC, S3 - 60%, CLASS "F" INSULATION
		TROLLEY MOTOR:	910D-1575R08G		

DIMENSIONAL INFORMATION

HOIST TYPE	HEIGHT OF LIFT		g1 INCHES (mm)	D INCHES (mm)	E INCHES (mm)	WEIGHT LBS (KG)	FLANGE WIDTH "B"		HEADROOM "H"	
	METERS	FEET					mm	INCHES	mm	INCHES
3131B-1623	5.3	17'-4"	3.82 (97)	42.52 (1080)	72.06 (1830.5)	1952 (885)	≤ 200	≤ 7.87	1140	44.88
3131B-2623	7.3	23'-11"	5.28 (134)	51.18 (1300)	80.73 (2050.5)	2140 (971)	≤ 305	≤ 12.00	1140	44.88
3131B-3623	10.0	32'-9"	7.20 (183)	62.99 (1600)	92.54 (2350.5)	2272 (1030)	≤ 406	≤ 15.98	1130	44.49
3131B-4623	14.2	46'-7"	10.16 (258)	80.71 (2050)	110.25 (2800.5)	2614 (1188)	≤ 500	≤ 19.68	1240	48.82
							≤ 600	≤ 23.62	1320	51.97